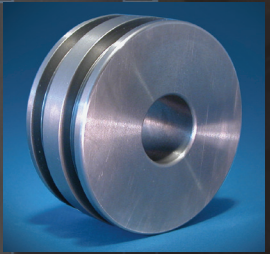
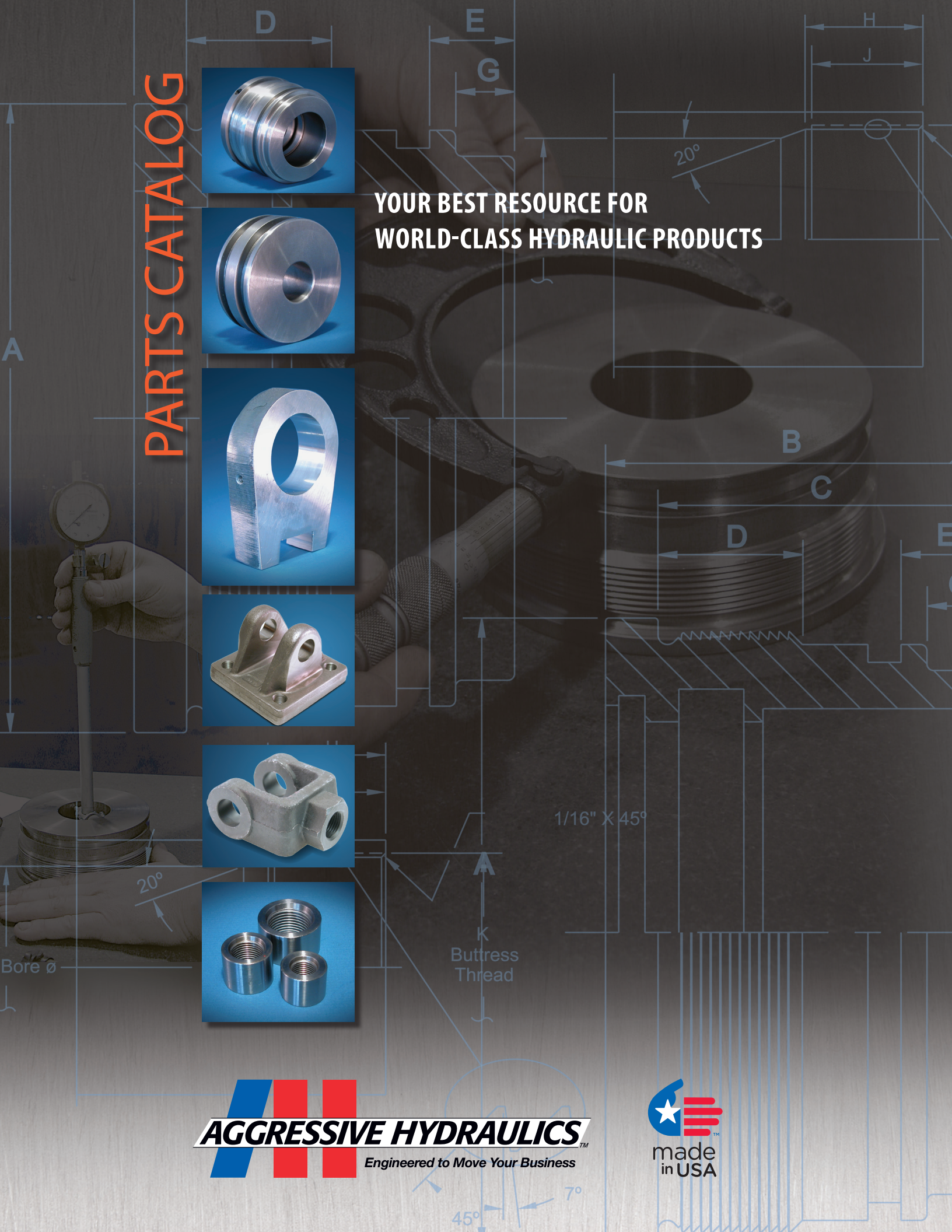


PARTS CATALOG



YOUR BEST RESOURCE FOR  
WORLD-CLASS HYDRAULIC PRODUCTS





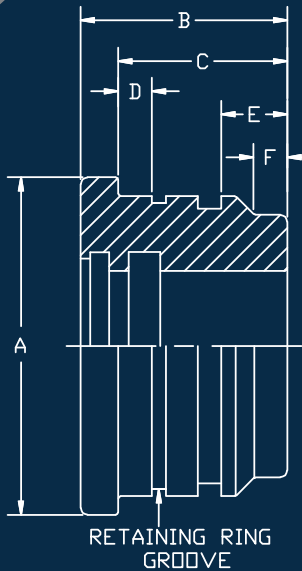
This catalog contains the hydraulic cylinder components and technical information necessary for you to grow your business and most important, grow your bottom line. Don't buy through conventional distribution channels. Buy direct from the source and increase your productivity and capacity by utilizing the highest quality cylinder components that money can buy. The design and integrity of these parts have taken years to refine and nurture. Our staff at Aggressive Hydraulics, have 100's of years of combined experience within the mobile hydraulic cylinder industry on a global basis. We have been directly involved in designing and manufacturing hundreds of thousands hydraulic cylinders in virtually all industries since 1980.

The parts in this catalog are machined in the USA and are on the shelf waiting to be shipped. This helps you minimize your inventory while allowing you to provide quick response times to your customers.

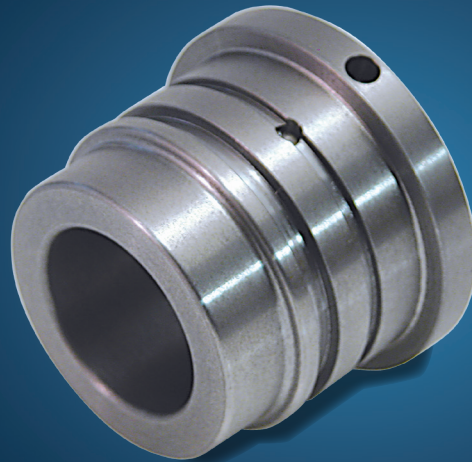
Let our design expertise, industry knowledge, state-of-the-art manufacturing techniques and on hand inventory become your competitive advantage. We encourage you to call our toll free number with any technical questions or with any unique and special requests you may have.

# CYLINDER HEADS

PART NUMBER	BORE +.003" -.003"	ROD +.000" -.003"	A	B	C	D	E	F	SEAL KIT NUMBER	LOCK RING NUMBER
H70181	1.500	0.750	1.88	2.00	1.63	0.38	0.63	0.38	SKH70181	RR20030
H70184	1.500	1.000	1.88	2.00	1.12	0.31	0.19	N/A	SKH70184	RR20030
H70093	2.000	1.000	2.38	2.25	1.88	0.44	0.75	0.50	SKH70093	RR20029
H70159	2.000	1.125	2.38	2.25	1.88	0.44	0.75	0.44	SKH70159	RR20029
H70160	2.000	1.250	2.38	2.50	1.88	0.44	0.75	0.44	SKH70160	RR20029
H70161	2.500	1.125	2.88	2.25	1.88	0.44	0.75	0.44	SKH70161	RR20031
H70162	2.500	1.250	2.88	2.25	1.88	0.44	0.75	0.38	SKH70162	RR20031
H70163	2.500	1.500	2.88	2.25	1.88	0.44	0.75	0.62	SKH70163	RR20031
H70861	2.500	1.750	2.88	2.50	1.88	0.44	0.75	0.38	SKH70861	RR20031
H70164	3.000	1.250	3.38	2.75	2.25	0.51	0.88	0.50	SKH70164	RR20027
H70130	3.000	1.500	3.38	2.75	2.25	0.51	0.88	0.50	SKH70130	RR20027
H70560	3.000	1.750	3.38	2.75	2.25	0.51	0.88	0.44	SKH70560	RR20027
H70165	3.000	2.000	3.38	2.75	2.25	0.51	0.88	0.44	SKH70165	RR20027
H70166	3.500	1.250	3.88	2.75	2.25	0.51	0.88	0.50	SKH70166	RR20032
H70089	3.500	1.500	3.88	2.75	2.25	0.51	0.88	0.50	SKH70089	RR20032
H70862	3.500	1.750	3.88	2.75	2.25	0.51	0.88	0.50	SKH70862	RR20032
H70167	3.500	2.000	3.88	2.75	2.25	0.51	0.88	0.50	SKH70167	RR20032
H70115	4.000	1.500	4.50	2.75	2.25	0.44	0.88	0.44	SKH70115	RR20033
H70576	4.000	1.750	4.50	2.75	2.25	0.44	0.88	0.44	SKH70576	RR20033
H70116	4.000	2.000	4.50	2.75	2.25	0.44	0.88	0.44	SKH70116	RR20033
H70168	4.000	2.500	4.50	2.75	2.25	0.44	0.88	0.44	SKH70168	RR20033
H70367	4.500	2.000	5.00	2.75	2.25	0.44	0.88	0.44	SKH70367	RR20087
H70378	4.500	2.500	5.00	2.75	2.25	0.44	0.88	0.44	SKH70378	RR20087
H70379	4.500	3.000	5.00	2.75	2.25	0.44	0.88	0.44	SKH70379	RR20087
H70114	5.000	2.000	5.50	3.00	2.50	0.56	0.94	0.50	SKH70114	RR20039
H70113	5.000	2.500	5.50	3.00	2.50	0.56	0.94	0.50	SKH70113	RR20039
H70107	5.000	3.000	5.50	3.00	2.50	0.56	0.94	0.50	SKH70107	RR20039
H70389	5.500	2.000	6.00	3.00	2.50	0.56	0.94	0.50	SKH70389	RR20089
H70390	5.500	2.500	6.00	3.00	2.50	0.56	0.94	0.50	SKH70390	RR20089
H70391	5.500	3.000	6.00	3.00	2.50	0.56	0.94	0.50	SKH70391	RR20089
H70112	6.000	2.000	6.50	3.00	2.50	0.56	0.94	0.50	SKH70112	RR20040
H70111	6.000	2.500	6.50	3.00	2.50	0.56	0.94	0.50	SKH70111	RR20040
H70108	6.000	3.000	6.50	3.00	2.50	0.56	0.94	0.50	SKH70108	RR20040



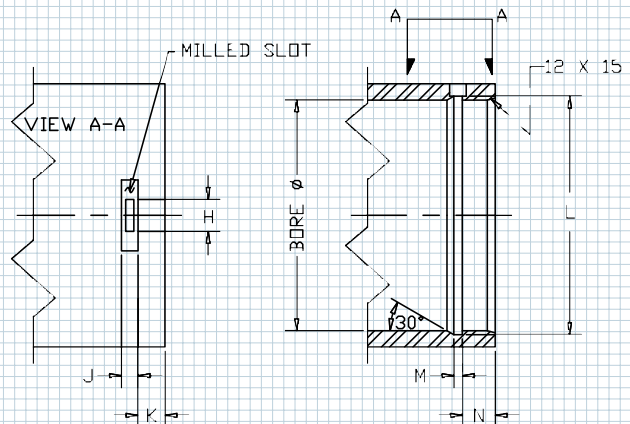
TK Head  
Material:  
65-45-12  
Ductile Iron



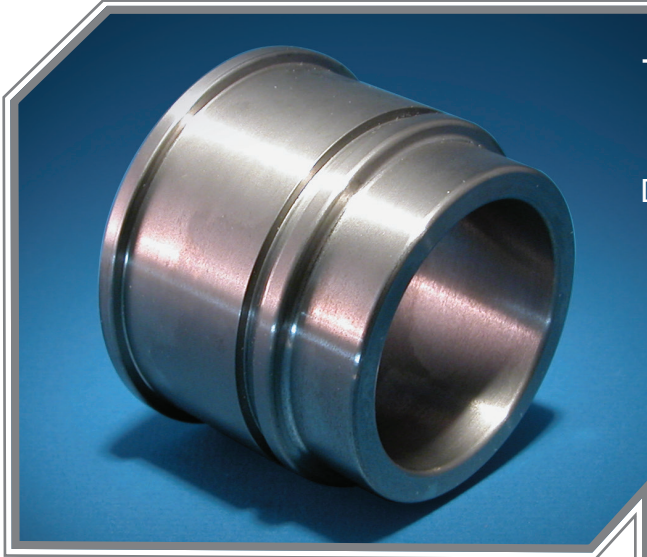
## TK Technical Information Retaining Groove

BORE +.003" -.003"	H	J	K	L +.010 -.000	M +.005 -.000	N +.000 -.005
1.500	0.25	0.25	0.28	1.625	0.125	0.375*
2.000	0.25	0.25	0.34	2.125	0.125	0.438
2.500	0.25	0.25	0.34	2.625	0.125	0.438
3.000	0.25	0.25	0.41	3.125	0.125	0.500
3.500	0.25	0.25	0.41	3.625	0.125	0.500
4.000	0.38	0.25	0.41	4.188	0.188	0.438
4.500	0.38	0.25	0.41	4.688	0.188	0.438
5.000	0.38	0.25	0.53	5.188	0.188	0.562
5.500	0.38	0.25	0.53	5.688	0.188	0.562
6.000	0.38	0.25	0.53	6.188	0.188	0.562

\*0.312 FOR 1" ROD

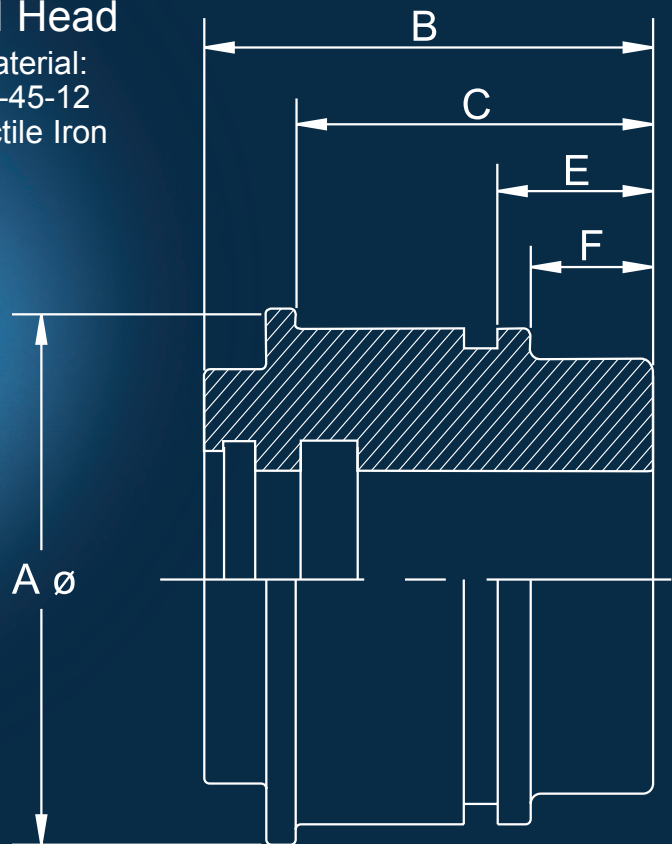


PART NUMBER	BORE +.003" -.003"	ROD +.000" -.003"	A	B	C	E	F	SEAL KIT NUMBER
H70154	2.000	1.000	2.25	2.38	1.93	0.81	0.62	SKH70154
H70155	2.000	1.125	2.25	2.38	1.93	0.81	0.62	SKH70155
H70156	2.000	1.250	2.25	2.38	1.93	0.81	0.62	SKH70156
H70157	2.500	1.125	2.75	2.38	1.93	0.81	0.62	SKH70157
H70076	2.500	1.250	2.75	2.38	1.93	0.81	0.62	SKH70076
H70158	2.500	1.500	2.75	2.38	1.93	0.81	0.62	SKH70158
H70462	2.500	1.750	2.75	2.38	2.19	0.81	0.62	SKH70462
H70029	3.000	1.250	3.25	2.75	2.19	0.93	0.75	SKH70029
H70011	3.000	1.500	3.25	2.75	2.19	0.93	0.75	SKH70011
H70814	3.000	1.750	3.25	2.75	2.19	0.93	0.75	SKH70814
H70012	3.000	2.000	3.25	2.75	2.56	0.93	0.69	SKH70012
H70013	3.500	1.500	3.75	2.75	2.19	0.93	0.75	SKH70013
H70504	3.500	1.750	3.75	2.75	2.19	0.93	0.75	SKH70504
H70030	3.500	2.000	3.75	2.75	2.19	0.93	0.75	SKH70030
H70031	3.500	2.500	3.75	2.75	2.56	0.93	0.75	SKH70031
H70014	4.000	1.500	4.25	2.75	2.19	0.93	0.75	SKH70014
H70488	4.000	1.750	4.25	2.75	2.19	0.93	0.75	SKH70488
H70015	4.000	2.000	4.25	2.75	2.19	0.93	0.75	SKH70015
H70032	4.000	2.500	4.25	2.75	2.19	0.93	0.75	SKH70032
H70033	4.000	3.000	4.25	2.75	2.56	0.93	0.75	SKH70033
H70276	4.500	2.000	4.75	2.75	2.19	0.93	0.75	SKH70276
H70310	4.500	2.500	4.75	2.75	2.19	0.93	0.75	SKH70310
H70377	4.500	3.000	4.75	2.75	2.19	0.93	0.75	SKH70377
H70037	5.000	2.000	5.38	3.00	2.44	1.12	0.88	SKH70037
H70038	5.000	2.500	5.38	3.00	2.44	1.12	0.88	SKH70038
H70039	5.000	3.000	5.38	3.00	2.44	1.12	0.88	SKH70039
H70153	5.500	2.000	5.88	3.00	2.44	1.12	0.88	SKH70153
H70142	5.500	2.500	5.88	3.00	2.44	1.12	0.88	SKH70142
H70143	5.500	3.000	5.88	3.00	2.44	1.12	0.88	SKH70143
H70041	6.000	2.000	6.38	3.00	2.44	1.12	0.88	SKH70041
H70042	6.000	2.500	6.38	3.00	2.44	1.12	0.88	SKH70042
H70043	6.000	3.000	6.38	3.00	2.44	1.12	0.88	SKH70043
H70180	7.000	2.500	7.50	4.00	3.12	1.75	1.50	SKH70180
H70176	7.000	3.000	7.50	4.00	3.12	1.75	1.50	SKH70176
H70186	7.000	3.500	7.50	4.00	3.12	1.75	1.50	SKH70186
H70133	8.000	3.000	8.50	4.00	3.12	1.75	1.50	SKH70133
H70195	8.000	3.500	8.50	4.00	3.12	1.75	1.50	SKH70195
H70217	8.000	4.000	8.50	4.00	3.12	1.75	1.50	SKH70217



### TH Head

Material:  
65-45-12  
Ductile Iron



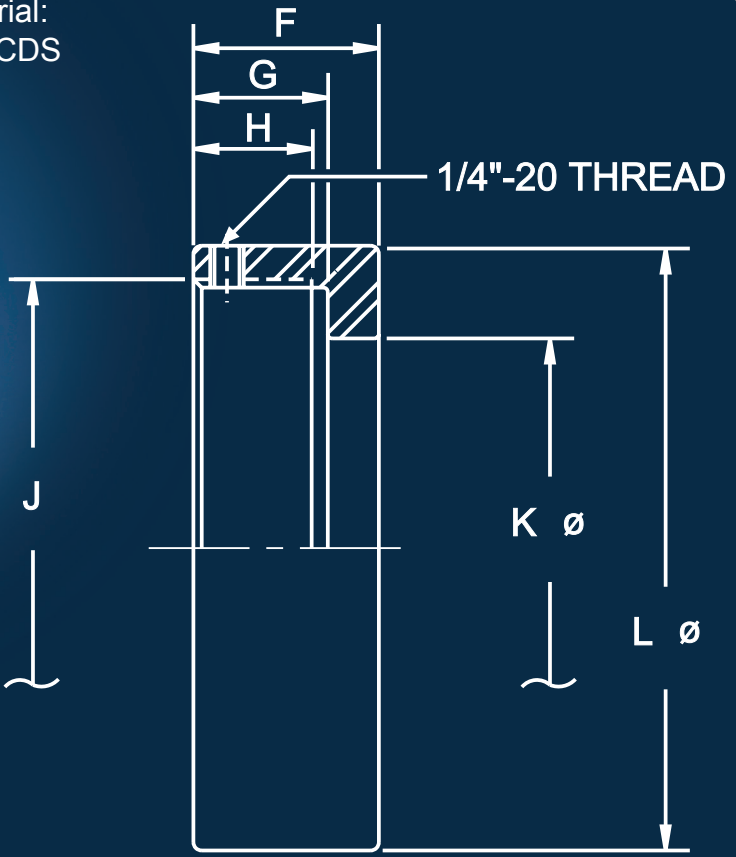
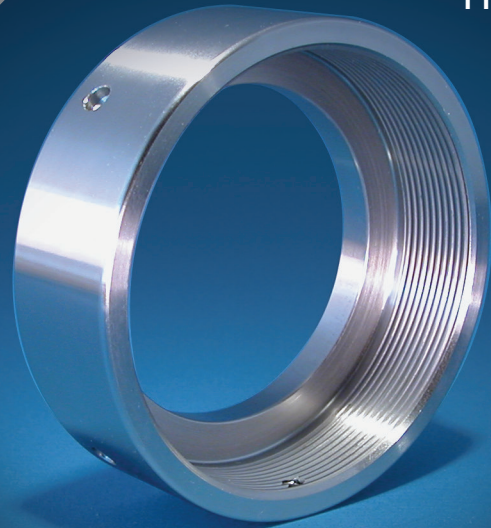
Call Toll Free 866-406-4100



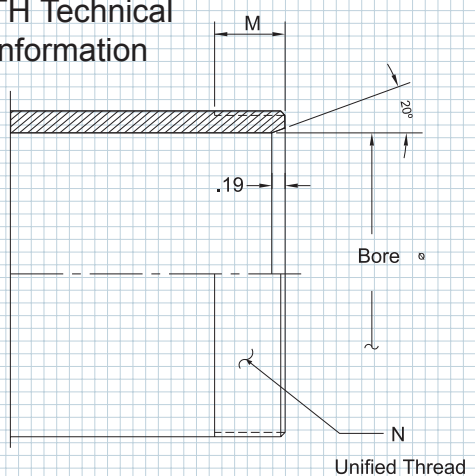
PART NUMBER	BORE +.003" -.003"	F	G	H	J THREAD	K	L
HC70074	2.000	1.12	0.88	0.69	2-3/8"-12 UN-2B	1.81	3.00
HC70075	2.500	1.12	0.88	0.69	2-7/8"-12 UN-2B	2.31	3.50
HC70008	3.000	1.38	1.00	0.75	3-1/2"-12 UN-2B	2.63	4.00
HC70009	3.500	1.38	1.00	0.75	4"-12 UN-2B	3.12	4.50
HC70034	4.000	1.38	1.00	0.75	4-1/2"-12 UN-2B	3.62	5.00
HC70277	4.500	1.38	1.00	0.75	5"-12 UN-2B	4.12	5.50
HC70040	5.000	1.38	1.00	0.75	5-1/2"-12 UN-2B	4.62	6.25
HC70140	5.500	1.38	1.00	0.75	6"-12 UN-2B	5.12	6.75
HC70044	6.000	1.38	1.00	0.75	6-5/8"-12 UN-2B	5.62	7.50
HC70174	7.000	2.00	1.38	1.12	7-7/8"-12 UN-2B	6.12	9.00
HC70132	8.000	2.00	1.38	1.12	8-7/8"-12 UN-2B	7.12	10.00

## TH Gland Cap

Material:  
1026 CDS

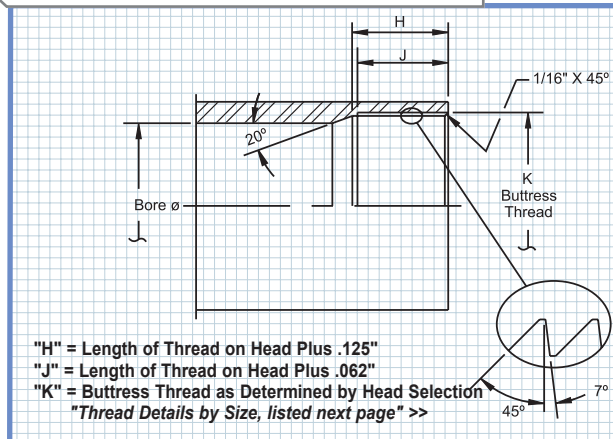
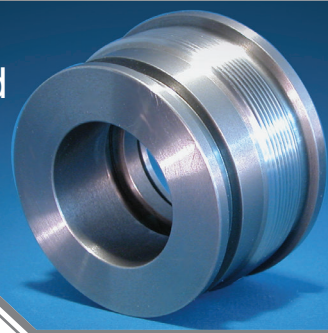
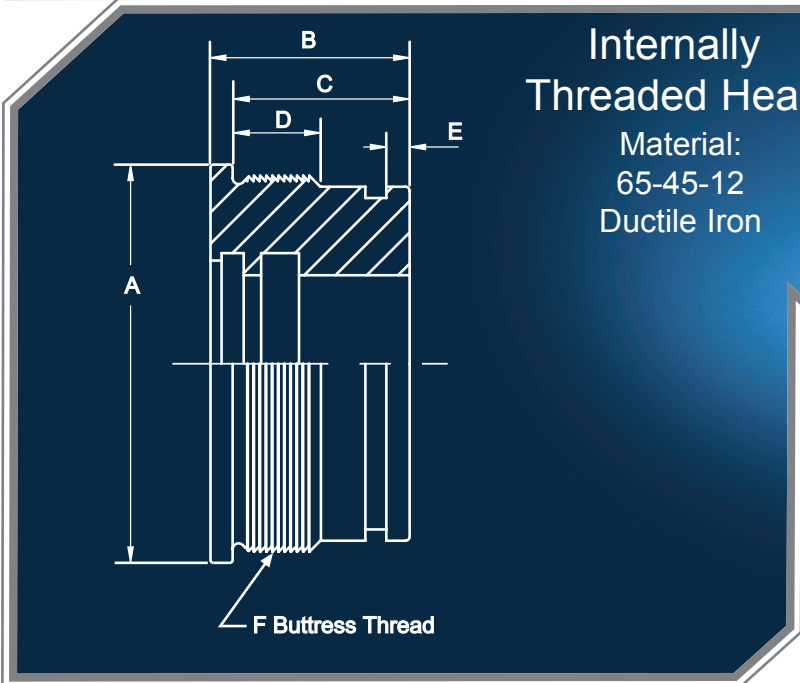


### TH Technical Information



BORE +.003" -.003"	M	N THREAD	MAJOR DIAMETER	PITCH DIAMETER
2.000	0.81	2-3/8"-12 UN-2A	2.3731 / 2.3617	2.3191 / 2.3128
2.500	0.81	2-7/8"-12 UN-2A	2.8731 / 2.8617	2.8191 / 2.8127
3.000	1.00	3-1/2"-12 UN-2A	3.4981 / 3.4867	3.4440 / 3.4376
3.500	1.00	4"-12 UN-2A	3.9980 / 3.9866	3.9439 / 3.9374
4.000	1.00	4-1/2"-12 UN-2A	4.4980 / 4.4866	4.4439 / 4.4374
4.500	1.00	5"-12 UN-2A	4.9980 / 4.9866	4.9439 / 4.9372
5.000	1.00	5-1/2"-12 UN-2A	5.4980 / 5.4866	5.4439 / 5.4372
5.500	1.00	6"-12 UN-2A	5.9979 / 5.9865	5.9438 / 5.9369
6.000	1.00	6-5/8"-12 UN-2A	6.6229 / 6.6115	6.5688 / 6.5619
7.000	1.25	7-7/8"-12 UN-2A	7.8729 / 7.8615	7.8188 / 7.8119
8.000	1.25	8-7/8"-12 UN-2A	8.8729 / 8.8615	8.8188 / 8.8119

PART NUMBER	BORE +.003" -.003"	ROD +.000" -.003"	A	B	C	D	E	BUTTRESS F	SEAL KIT NUMBER
1070150075	1.500	0.750	2.00	1.75	1.50	0.75	0.16	1-3/4"-12	1080150075
1070150100	1.500	1.000	2.00	2.00	1.50	0.75	0.28	1-3/4"-12	1080150100
1070200100	2.000	1.000	2.50	2.12	1.93	1.00	0.12	2-1/4"-12	1080200100
1070200112	2.000	1.125	2.50	2.00	1.75	0.75	0.19	2-1/4"-12	1080200112
1070200125	2.000	1.250	2.50	2.25	2.00	1.00	0.19	2-1/4"-12	1080200125
1070250100	2.500	1.000	3.00	2.00	1.75	0.75	0.19	2-3/4"-12	1080250100
1070250112	2.500	1.125	3.00	2.00	1.75	0.75	0.19	2-3/4"-12	1080250112
1070250125	2.500	1.250	3.00	2.00	1.75	0.75	0.19	2-3/4"-12	1080250125
1070250150	2.500	1.500	3.00	2.38	2.00	1.00	0.19	2-3/4"-12	1080250150
1070250175	2.500	1.750	3.00	2.25	1.88	0.88	0.25	2-3/4"-12	1080250175
1070300100	3.000	1.000	3.50	2.25	2.00	1.00	0.19	3-1/4"-12	1080300100
1070300125	3.000	1.250	3.50	2.25	2.00	1.00	0.19	3-1/4"-12	1080300125
1070300138	3.000	1.375	3.50	2.25	2.00	1.00	0.19	3-1/4"-12	1080300138
1070300150	3.000	1.500	3.50	2.25	2.00	1.00	0.19	3-1/4"-12	1080300150
1070300175	3.000	1.750	3.50	2.25	2.00	1.00	0.19	3-1/4"-12	1080300175
1070300200	3.000	2.000	3.50	2.50	2.00	1.00	0.19	3-1/4"-12	1080300200
1070325125	3.250	1.250	3.75	2.25	2.00	1.00	0.19	3-1/2"-12	1080325125
1070325138	3.250	1.375	3.75	2.25	2.00	1.00	0.19	3-1/2"-12	1080325138
1070325150	3.250	1.500	3.75	2.25	2.00	1.00	0.19	3-1/2"-12	1080325150
1070325175	3.250	1.750	3.75	2.25	2.00	1.00	0.19	3-1/2"-12	1080325175
1070325200	3.250	2.000	3.75	2.25	2.00	1.00	0.19	3-1/2"-12	1080325200
1070350125	3.500	1.250	4.00	2.25	2.00	1.00	0.19	3-3/4"-12	1080350125
1070350150	3.500	1.500	4.00	2.25	2.00	1.00	0.19	3-3/4"-12	1080350150
1070350175	3.500	1.750	4.00	2.25	2.00	1.00	0.19	3-3/4"-12	1080350175
1070350200	3.500	2.000	4.00	2.25	2.00	1.00	0.19	3-3/4"-12	1080350200
1070350250	3.500	2.500	4.00	2.50	2.12	1.00	0.19	3-3/4"-12	1080350250
1070400150	4.000	1.500	4.50	2.25	2.00	1.00	0.19	4-1/4"-12	1080400150
1070400175	4.000	1.750	4.50	2.25	2.00	1.00	0.19	4-1/4"-12	1080400175
1070400200	4.000	2.000	4.50	2.25	2.00	1.00	0.19	4-1/4"-12	1080400200
1070400225	4.000	2.250	4.50	2.25	2.00	1.00	0.19	4-1/4"-12	1080400225
1070400250	4.000	2.500	4.50	2.50	2.12	1.12	0.19	4-1/4"-12	1080400250
1070400300	4.000	3.000	4.50	2.50	2.12	1.00	0.19	4-1/4"-12	1080400300
1070450175	4.500	1.750	5.00	2.25	2.00	1.00	0.19	4-3/4"-12	1080450175
1070450200	4.500	2.000	5.00	2.25	2.00	1.00	0.19	4-3/4"-12	1080450200
1070450225	4.500	2.250	5.00	2.25	2.00	1.00	0.19	4-3/4"-12	1080450225
1070450250	4.500	2.500	5.00	2.38	2.12	1.00	0.31	4-3/4"-12	1080450250
1070450350	4.500	3.500	5.00	2.38	2.00	1.00	0.19	4-3/4"-12	1080450350
1070500175	5.000	1.750	5.50	2.25	2.00	1.00	0.19	5-1/4"-12	1080500175
1070500200	5.000	2.000	5.50	2.25	2.00	1.00	0.19	5-1/4"-12	1080500200
1070500250	5.000	2.500	5.50	2.50	2.12	1.12	0.19	5-1/4"-12	1080500250
1070500300	5.000	3.000	5.50	2.50	2.12	1.12	0.19	5-1/4"-12	1080500300
1070600200	6.000	2.000	6.50	2.50	2.12	1.12	0.19	6-1/4"-12	1080600200
1070600250	6.000	2.500	6.50	2.50	2.12	1.12	0.19	6-1/4"-12	1080600250
1070600300	6.000	3.000	6.50	2.50	2.12	1.12	0.19	6-1/4"-12	1080600300
1070600350	6.000	3.500	6.50	2.50	2.12	1.12	0.19	6-1/4"-12	1080600350
1070700300	7.000	3.000	7.50	2.88	2.50	1.12	0.59	7-1/4"-10	1080700300
1070700350	7.000	3.500	7.50	2.88	2.50	1.12	0.59	7-1/4"-10	1080700350
1070700400	7.000	4.000	7.50	2.88	2.50	1.12	0.59	7-1/4"-10	1080700400
1070800400	8.000	4.000	8.50	3.75	3.25	1.50	0.88	8-1/4"-10	1080800400
1070800450	8.000	4.500	8.50	3.75	3.25	1.50	0.88	8-1/4"-10	1080800450
1070800500	8.000	5.000	8.50	3.75	3.25	1.50	0.88	8-1/4"-10	1080800500



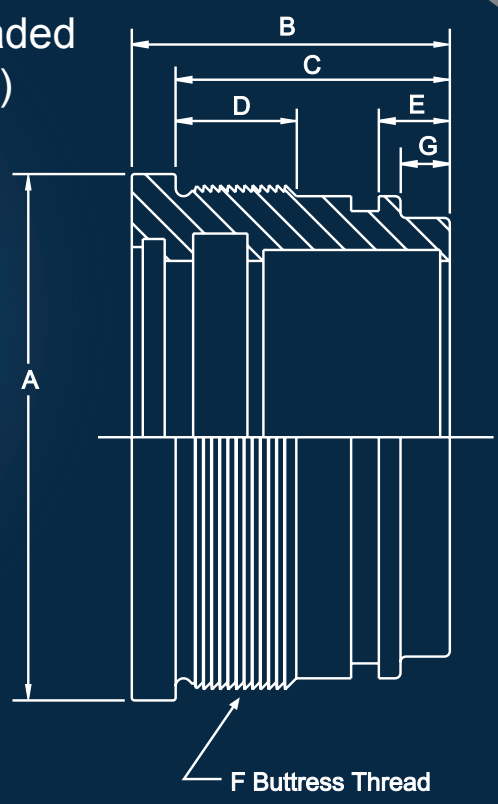
Call Toll Free 866-406-4100

PART NUMBER	BORE +.003" -.003"	ROD +.000" -.003"	A	B	C	D	E	BUTTRESS F	G	SEAL KIT NUMBER
2070300175	3.000	1.750	3.50	2.62	2.25	1.00	0.56	3-1/4"-12	0.38	2080300175
2070300200	3.000	2.000	3.50	2.62	2.25	1.00	0.56	3-1/4"-12	0.38	2080300200
2070350175	3.500	1.750	4.00	2.62	2.25	1.00	0.56	3-3/4"-12	0.38	2080350175
2070350200	3.500	2.000	4.00	2.62	2.25	1.00	0.56	3-3/4"-12	0.38	2080350200
2070400200	4.000	2.000	4.50	3.25	2.75	1.25	0.56	4-1/4"-12	0.38	2080400200
2070400250	4.000	2.500	4.50	3.25	2.75	1.25	0.56	4-1/4"-12	0.38	2080400250
2070400300	4.000	3.000	4.50	3.62	3.12	1.38	0.19	4-1/4"-12	N/A	2080400300
2070450200	4.500	2.000	5.00	3.25	2.75	1.25	0.56	4-3/4"-12	0.38	2080450200
2070450250	4.500	2.500	5.00	3.25	2.75	1.25	0.56	4-3/4"-12	0.38	2080450250
2070450300	4.500	3.000	5.00	3.25	2.75	1.25	0.56	4-3/4"-12	0.38	2080450300
2070450350	4.500	3.500	5.00	3.62	3.12	1.38	0.19	4-3/4"-12	N/A	2080450350
2070500200	5.000	2.000	5.50	3.00	2.50	1.12	0.56	5-1/4"-12	0.38	2080500200
2070500250	5.000	2.500	5.50	3.62	3.12	1.38	0.81	5-1/4"-12	0.56	2080500250
2070500300	5.000	3.000	5.50	3.62	3.12	1.38	0.81	5-1/4"-12	0.56	2080500300
2070500350	5.000	3.500	5.50	3.62	3.12	1.38	0.81	5-1/4"-12	0.56	2080500350
2070500400	5.000	4.000	5.50	3.62	3.12	1.38	0.19	5-1/4"-12	N/A	2080500400
2070550250	5.500	2.500	6.00	3.62	3.12	1.38	0.81	5-3/4"-12	0.56	2080550250
2070550300	5.500	3.000	6.00	3.62	3.12	1.38	0.81	5-3/4"-12	0.56	2080550300
2070550350	5.500	3.500	6.00	3.62	3.12	1.38	0.81	5-3/4"-12	0.56	2080550350
2070550400	5.500	4.000	6.00	3.62	3.12	1.38	0.81	5-3/4"-12	0.56	2080550400
2070550450	5.500	4.500	6.00	3.62	3.12	1.38	0.19	5-3/4"-12	N/A	2080550450
2070600250	6.000	2.500	6.50	3.62	3.12	1.38	0.81	6-1/4"-12	0.56	2080600250
2070600300	6.000	3.000	6.50	3.62	3.12	1.38	0.81	6-1/4"-12	0.56	2080600300
2070600350	6.000	3.500	6.50	3.62	3.12	1.38	0.81	6-1/4"-12	0.56	2080600350
2070600400	6.000	4.000	6.50	3.62	3.12	1.38	0.81	6-1/4"-12	0.56	2080600400
2070600450	6.000	4.500	6.50	3.38	2.88	1.25	0.81	6-1/4"-12	0.62	2080600450
2070700250	7.000	2.500	7.50	4.25	3.75	1.50	1.03	7-1/4"-10	0.75	2080700250
2070700300	7.000	3.000	7.50	4.25	3.75	1.50	1.03	7-1/4"-10	0.75	2080700300
2070700350	7.000	3.500	7.50	4.25	3.75	1.50	1.03	7-1/4"-10	0.75	2080700350
2070700400	7.000	4.000	7.50	4.25	3.75	1.50	1.03	7-1/4"-10	0.75	2080700400
2070700450	7.000	4.500	7.50	4.25	3.75	1.50	1.03	7-1/4"-10	0.75	2080700450
2070800350	8.000	3.500	8.50	4.50	3.75	1.50	1.03	8-1/4"-10	0.75	2080800350
2070800400	8.000	4.000	8.50	4.50	3.75	1.50	1.03	8-1/4"-10	0.75	2080800400
2070800450	8.000	4.500	8.50	4.50	3.75	1.50	1.03	8-1/4"-10	0.75	2080800450
2070800500	8.000	5.000	8.50	4.50	3.75	1.50	1.03	8-1/4"-10	0.75	2080800500
2071000400	10.00	4.000	10.50	5.00	4.25	1.50	1.25	10-1/4"-10	1.00	2081000400
2071000500	10.00	5.000	10.50	5.00	4.25	1.50	1.25	10-1/4"-10	1.00	2081000500



### Internally Threaded Head (Wide)

Material:  
65-45-12  
Ductile Iron



### Internally Threaded Technical Information

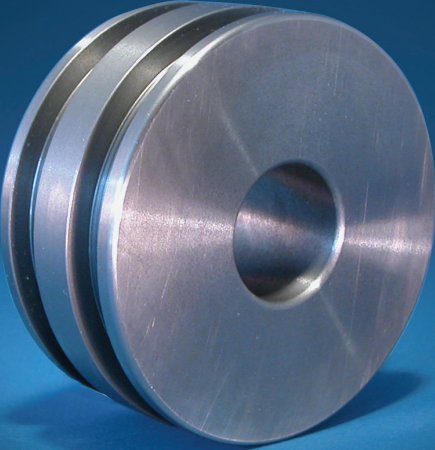
Basic Thread Size	Minimum Major Diameter	Pitch Diameter	Minor Diameter
2-1/4"-12	2.2604	2.2000 / 2.2075	2.1500 / 2.1575
2-3/4"-12	2.7604	2.7000 / 2.7080	2.6500 / 2.6580
3-1/4"-12	3.2604	3.2000 / 3.2080	3.1500 / 3.1580
3-1/2"-12	3.5104	3.4500 / 3.4580	3.4000 / 3.4080
3-3/4"-12	3.7604	3.7000 / 3.7080	3.6500 / 3.6580
4-1/4"-12	4.2604	4.2000 / 4.2084	4.1500 / 4.1584
4-3/4"-12	4.7604	4.7000 / 4.7084	4.6500 / 4.6584
5-1/4"-12	5.2604	5.2000 / 5.2084	5.1500 / 5.1584
5-3/4"-12	5.7604	5.7000 / 5.7084	5.6500 / 5.6584
6-1/4"-12	6.2604	6.2000 / 6.2084	6.1500 / 6.1584
7-1/4"-10	7.2626	7.1900 / 7.1995	7.1300 / 7.1395
8-1/4"-10	8.2626	8.1900 / 8.1995	8.1300 / 8.1395
10-1/4"-10	10.2626	10.1900 / 10.1995	10.1300 / 10.1395

# PISTONS

PART NUMBER	BORE +.003" -.003"	A +.002 -.000	B	C	SEAL KIT NUMBER
P70020	1.500	0.626	1.12	N/A	SKP70020
P70005	2.000	0.751	1.50	N/A	SKP70005
P70017	2.500	0.751	1.50	N/A	SKP70017
P70006	3.000	1.001	1.75	N/A	SKP70006
P70007	3.500	1.126	1.75	N/A	SKP70007
P70010	4.000	1.251	1.75	N/A	SKP70010
P70275	4.500	1.251	1.75	N/A	SKP70275
P70018	5.000	1.251	2.00	N/A	SKP70018
P70141	5.500	1.501	2.00	N/A	SKP70141
P70019	6.000	1.501	2.00	N/A	SKP70019
P70175	7.000	1.751	3.00	0.75	SKP70175
P70134	8.000	2.001	3.00	0.75	SKP70134

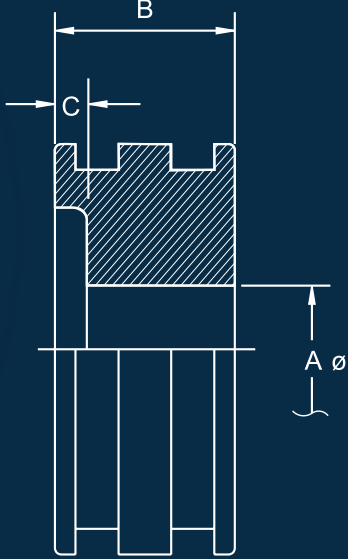
### IMPORTANT INFORMATION:

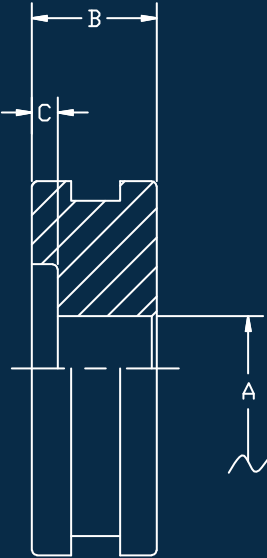
The stub diameter "A" on pistons supplied by Aggressive Hydraulics are sized to a minimum diameter typically found in low pressure, light duty applications. Medium to heavy duty applications will require the stub diameter to be increased commensurate with the application. Please consult the factory with any questions.



## TH Piston

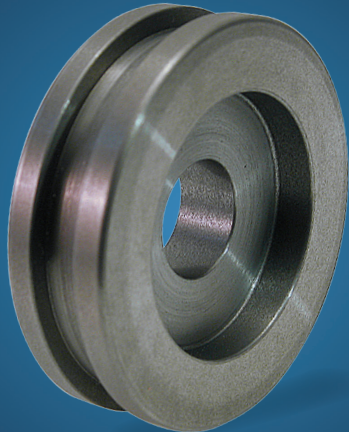
Material:  
65-45-12  
Ductile Iron





## TM Piston

Material:  
65-45-12  
Ductile Iron



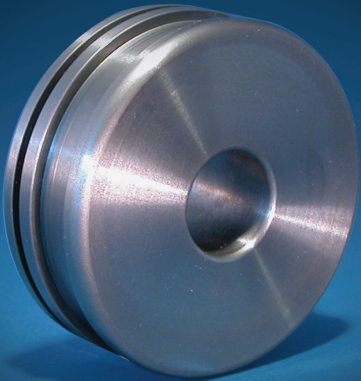
PART NUMBER	BORE +.003" -.003"	A +.002" -.000"	B	C	SEAL KIT NUMBER
P70079	1.500	0.626	0.88	N/A	SKP70079
P70055	2.000	0.751	1.00	N/A	SKP70055
P70065	2.500	0.751	1.00	N/A	SKP70065
P70841	3.000	0.751	1.00	0.25	SKP70841
P70872	3.500	1.001	1.00	0.38	SKP70872
P70067	4.000	1.001	1.00	N/A	SKP70067
P70384	4.500	1.251	1.50	N/A	SKP70384
P70090	5.000	1.251	1.50	N/A	SKP70090
P70385	5.500	1.501	1.50	N/A	SKP70385
P70139	6.000	1.501	1.50	N/A	SKP70139

Call Toll Free 866-406-4100

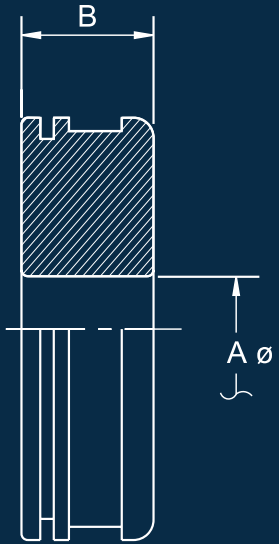
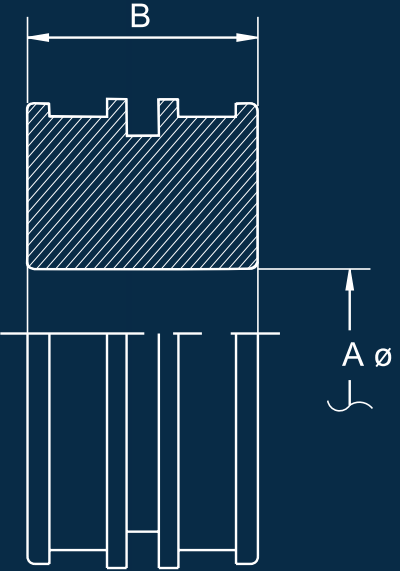




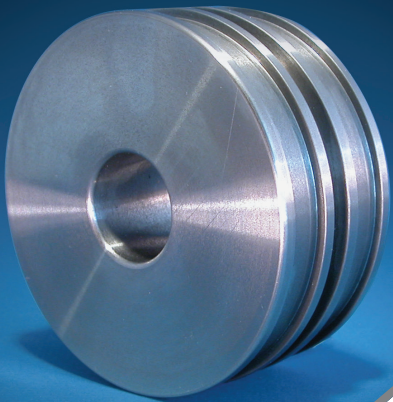
Part Number	Bore +.003"-.003"	A +.002"-.000"	B	Seal Kit Number
1100150062	1.500	0.626	1.12	1180150000
1100175062	1.750	0.626	1.12	1180175000
1100200075	2.000	0.751	1.25	1180200000
1100250075	2.500	0.751	1.25	1180250000
1100300088	3.000	0.876	1.25	1180300000
1100325100	3.250	1.001	1.25	1180325000
1100350100	3.500	1.001	1.25	1180350000
1100400100	4.000	1.001	1.25	1180400000
1100450112	4.500	1.126	1.50	1180450000
1100500112	5.000	1.126	1.50	1180500000



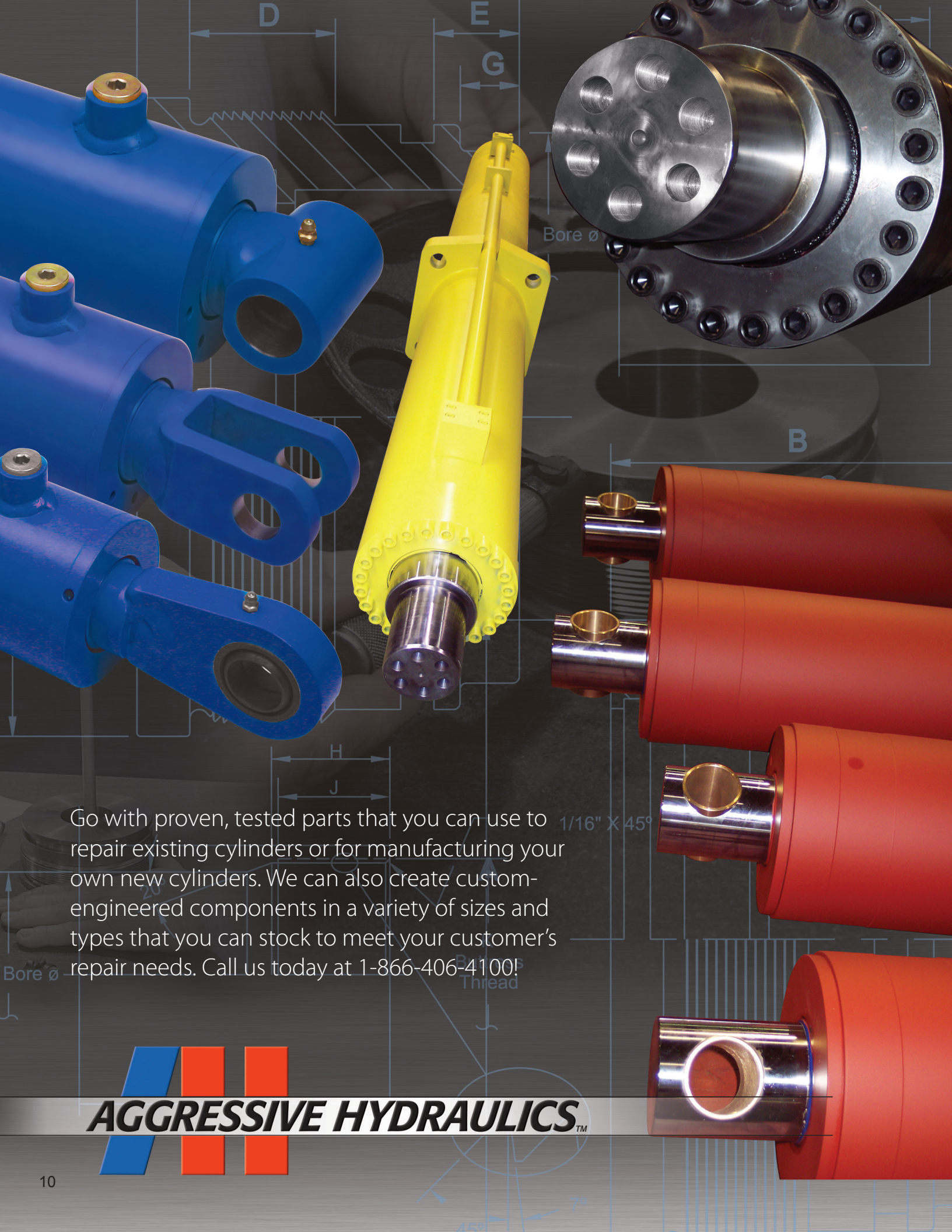
**Piston (narrow)**  
Material:  
65-45-12  
Ductile Iron

**Piston (wide)**  
Material:  
65-45-12  
Ductile Iron



PART NUMBER	BORE +.003"-.003"	A +.002"-.000"	B	SEAL KIT NUMBER
2100200062	2.000	0.627	2.00	2180200000
2100200100	2.000	1.001	2.00	2180200000
2100250075	2.500	0.751	1.88	2180250000
2100300100	3.000	1.001	2.00	2180300000
2100325100	3.250	1.001	2.00	2180325000
2100350112	3.500	1.126	2.00	2180350000
2100400112	4.000	1.126	2.00	2180400000
2100450125	4.500	1.251	2.00	2180450000
2100500125	5.000	1.251	2.00	2180500000
2100550125	5.500	1.251	2.12	2180550000
2100600125	6.000	1.251	2.12	2180600000
2100700175	7.000	1.751	2.12	2180700000
2100800200	8.000	2.001	3.12	2180800000
2101000250	10.000	2.501	4.38	2181000000



Go with proven, tested parts that you can use to repair existing cylinders or for manufacturing your own new cylinders. We can also create custom-engineered components in a variety of sizes and types that you can stock to meet your customer's repair needs. Call us today at 1-866-406-4100!




# END CAPS

PART NUMBER	BORE +.003" - .003"	A	B	C
BP60056	1.500	1.88	0.50	0.25
BP60010	2.000	2.38	0.50	0.25
BP60011	2.500	2.88	0.50	0.25
BP60012	3.000	3.38	0.59	0.25
BP60013	3.500	3.88	0.69	0.38
BP60014	4.000	4.50	0.75	0.38
BP60437	4.500	5.00	0.88	0.38
BP60015	5.000	5.56	0.88	0.38
BP60124	5.500	6.00	0.88	0.38
BP60016	6.000	6.75	1.00	0.38
BP60157	7.000	8.00	1.00	0.38
BP60107	8.000	9.00	1.00	0.38

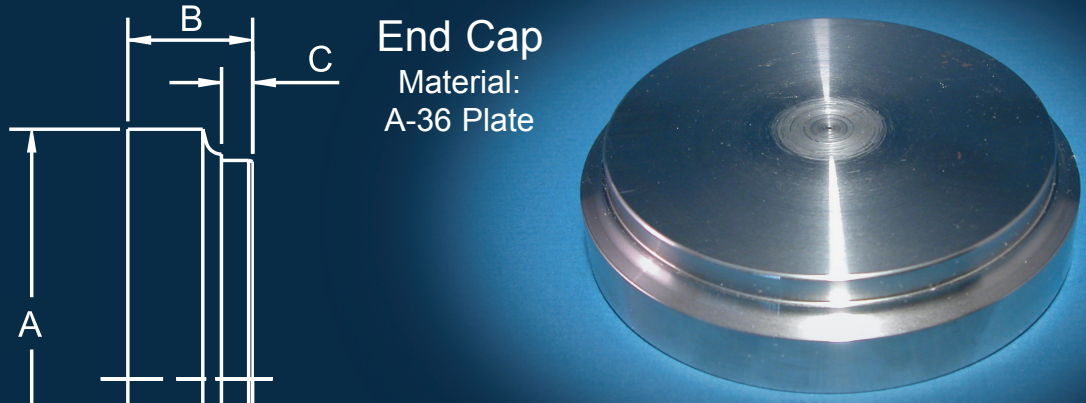
**Base Plate**  
(medium duty)

Material:  
A-36 Plate



**End Cap**

Material:  
A-36 Plate



Part Number	Bore +.003" - .003"	A	B	C
1120150050	1.500	2.00	0.50	0.19
1120175050	1.750	2.25	0.50	0.12
1120200050	2.000	2.50	0.50	0.12
1120225062	2.250	2.75	0.62	0.25
1120250062	2.500	3.00	0.62	0.25
1120300075	3.000	3.50	0.75	0.25
1120325088	3.250	3.75	0.88	0.25
1120350062	3.500	4.00	0.62	0.25
1120350088	3.500	4.00	0.88	0.25
1120400075	4.000	4.50	0.75	0.25
1120400100	4.000	4.50	1.00	0.25
1120450112	4.500	5.00	1.12	0.25
1120500125	5.000	5.75	1.25	0.25
1120550131	5.500	6.12	1.31	0.25
1120600138	6.000	6.75	1.38	0.25
1120700144	7.000	8.00	1.44	0.25
1120800150	8.000	9.00	1.50	0.25
1121000150	10.000	11.00	1.50	0.38

Call Toll Free 866-406-4100

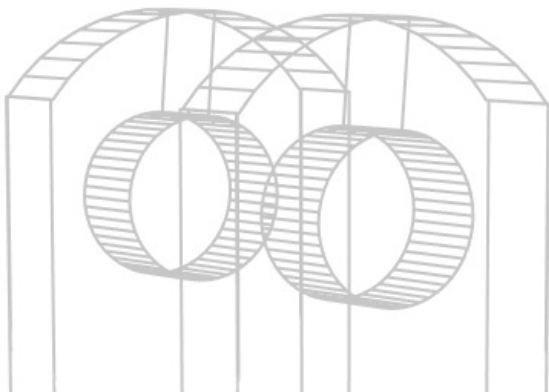
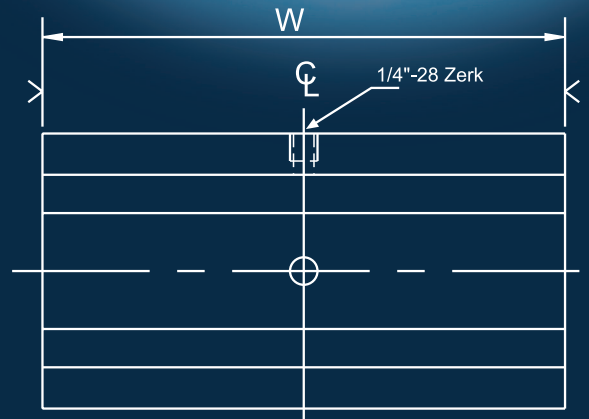
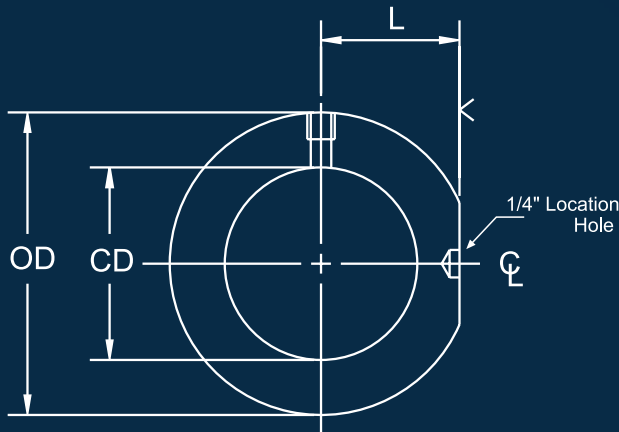


# MOUNTS

Part Number	CD	W	OD	L
1230251015	1.00	2.50	1.50	0.69
1230301015	1.00	3.00	1.50	0.69
1230351015	1.00	3.50	1.50	0.69
1230401015	1.00	4.00	1.50	0.69
1230451015	1.00	4.50	1.50	0.69
1230271017	1.00	2.75	1.75	0.81
1230321017	1.00	3.25	1.75	0.81
1230371017	1.00	3.75	1.75	0.81
1230421017	1.00	4.25	1.75	0.81
1230471017	1.00	4.75	1.75	0.81
1230521017	1.00	5.25	1.75	0.81
1230271220	1.25	2.75	2.00	0.88
1230301220	1.25	3.00	2.00	0.88
1230321220	1.25	3.25	2.00	0.88
1230371220	1.25	3.75	2.00	0.88
1230421220	1.25	4.25	2.00	0.88
1230451220	1.25	4.50	2.00	0.88
1230471220	1.25	4.75	2.00	0.88
1230521220	1.25	5.25	2.00	0.88
1230601220	1.25	6.00	2.00	0.88
1230701220	1.25	7.00	2.00	0.88
1230301525	1.50	3.00	2.50	1.12
1230401525	1.50	4.00	2.50	1.12
1230421525	1.50	4.25	2.50	1.12
1230471525	1.50	4.75	2.50	1.12
1230551525	1.50	5.50	2.50	1.12
1230601525	1.50	6.00	2.50	1.12
1230671525	1.50	6.75	2.50	1.12
1230701525	1.50	7.00	2.50	1.12
1230321727	1.75	3.25	2.75	1.25
1230471727	1.75	4.75	2.75	1.25
1230551727	1.75	5.50	2.75	1.25
1230601727	1.75	6.00	2.75	1.25
1230701727	1.75	7.00	2.75	1.25
1230352030	2.00	3.50	3.00	1.38
1230402030	2.00	4.00	3.00	1.38
1230472030	2.00	4.75	3.00	1.38
1230502030	2.00	5.00	3.00	1.38
1230552030	2.00	5.50	3.00	1.38
1230602030	2.00	6.00	3.00	1.38
1230702030	2.00	7.00	3.00	1.38
1230802030	2.00	8.00	3.00	1.38

## Cross Tube

Material:  
1026 CDS

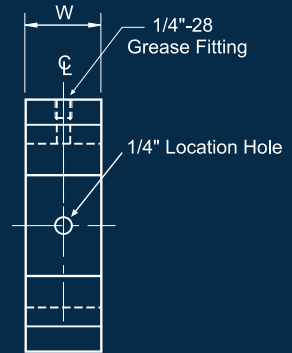
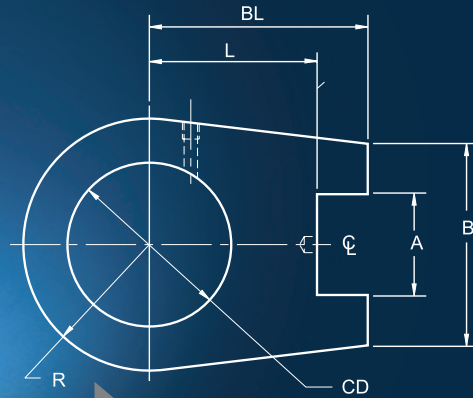


Call Toll Free 866-406-4100

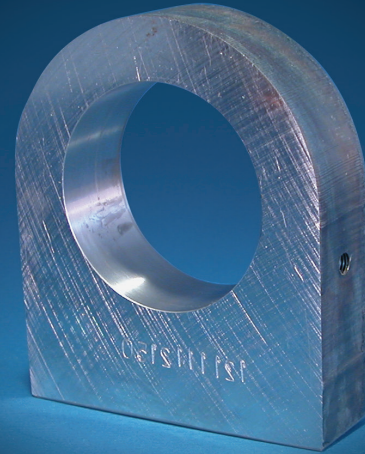
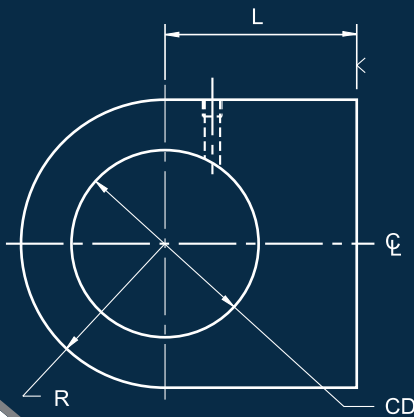


PART NUMBER	A	B	CD	L	R	BL	W	DIA. PIN	SPHERICAL BEARING	MAX. PULL
1212075100	1.00	2.00	1.62	2.12	1.25	2.75	.75	1.00	9995000100	15,000#
1212093125	1.25	2.25	2.00	2.25	1.50	3.00	.93	1.25	9995000125	20,000#
1212112150	1.50	3.00	2.44	2.50	1.88	3.25	1.12	1.50	9995000150	35,000#
1212131175	1.50	3.00	2.81	2.75	2.00	3.75	1.31	1.75	9995000175	35,000#
1212150200	2.00	3.50	3.19	3.00	2.38	4.00	1.50	2.00	9995000200	55,000#
1212188250	2.50	4.50	3.93	3.50	3.00	4.75	1.88	2.50	9995000250	95,000#

### Spherical Tang (rod end) Material: 50 KSI Min Yield Plate



### Spherical Tang (base end) Material: 50 KSI Min Yield Plate



PART NUMBER	CD	L	R	W	PIN DIA.	SPHERICAL BEARING	MAX. PULL
1211075100	1.62	2.00	1.25	0.75	1.00	9995000100	15,000#
1211093125	2.00	2.00	1.50	0.93	1.25	9995000125	20,000#
1211112150	2.44	2.50	1.88	1.12	1.50	9995000150	35,000#
1211131175	2.81	2.50	2.00	1.31	1.75	9995000175	35,000#
1211150200	3.19	2.75	2.38	1.50	2.00	9995000200	55,000#
1211188250	3.93	3.25	3.00	1.88	2.50	9995000250	95,000#

PART NUMBER	L	R	W	PART NUMBER	L	R	W
ML296	1.50	1.00	0.50	ML312	3.00	1.50	2.00
ML297	1.50	1.00	0.62	ML313	1.75	1.75	2.00
ML298	1.50	1.00	0.75	ML314	1.88	1.75	2.00
ML299	1.75	1.25	1.00	ML315	2.12	1.75	2.00
ML301	2.00	1.50	1.00	ML316	2.50	1.75	2.00
ML302	2.50	2.00	1.00	ML317	2.75	1.75	2.00
ML303	1.50	1.00	1.25	ML318	3.00	2.00	2.00
ML304	1.50	1.12	1.50	ML319	3.00	2.12	2.00
ML305	2.00	1.25	1.50	ML320	3.12	2.50	2.00
ML306	1.75	1.50	1.50	ML321	2.00	1.12	2.25
ML307	2.75	1.50	1.50	ML322	2.25	1.75	2.25
ML308	1.75	1.25	2.00	ML323	3.00	2.50	2.25
ML309	2.00	1.50	2.00	ML324	3.00	2.50	2.50
ML310	2.12	1.50	2.00	ML325	3.00	2.25	3.00
ML311	2.25	1.50	2.00	ML326	3.00	2.00	3.25

### Lug Mount (burning)

Material: A-36 Plate

### Formed Clevis

Material: A-36 Plate

PART NUMBER	CB	CD	CE	CW	L	W	PART NUMBER	CB	CD	CE	CW	L	W
CL3011	0.75	0.50	1.50	0.38	2.25	1.25	B120829	1.50	N/A	N/A	0.50	3.25	2.50
CL7337	1.06	0.75	2.00	0.38	3.12	1.75	80001	1.12	N/A	N/A	0.50	4.00	2.00
CL6547	1.25	1.00	2.50	0.50	3.62	2.00	B120672	1.50	N/A	N/A	0.50	4.00	3.00
CL8278	0.88	1.00	2.93	0.50	4.06	2.00	B120760	1.12	1.00	2.12	0.62	3.38	2.50
CL323	1.25	1.00	5.06	0.38	6.06	1.75	B120756	1.12	N/A	N/A	0.62	4.25	3.00
B120753	1.50	1.12	2.12	0.50	3.25	2.25	80015	1.25	N/A	N/A	0.62	4.62	2.50
B120625	1.62	1.25	2.75	0.75	4.00	2.50	B120613	1.62	N/A	N/A	0.75	4.00	2.50
80003	0.50	N/A	N/A	0.38	2.38	1.00	B120614	2.12	N/A	N/A	1.00	5.00	3.00
80010	1.12	N/A	N/A	0.38	3.50	2.00	B1201078	1.50	N/A	N/A	0.62	4.12	3.00

PART NUMBER	CB	CD	CE	CH	CW	F	L	A	KK	ER
BDC-05	0.765	1/2	1-1/2	1	1/2	1	3/4	3/4	7/16-20	1/2
BDC-07	1.265	3/4	2-3/8	1-1/4	5/8	1-1/4	1-1/4	1-1/8	3/4-16	3/4
BDC-10	1.515	1	3-1/8	1-1/2	3/4	1-1/2	1-1/2	1-5/8	1-14	1
BDC-13	2.032	1-3/8	4-1/8	2	1	2	2-1/8	2	1-1/4-12	1-3/8
BDC-17	2.531	1-3/4	4-1/2	2-3/8	1-1/4	2-3/8	2-1/4	2-1/4	1-1/2-12	1-3/4
BDC-20	2.531	2	5-1/2	2-15/16	1-1/4	2-15/16	2-1/2	3	1-7/8-12	2
BDC-25	3.032	2-1/2	6-1/2	3-1/2	1-1/2	3-1/2	3	3-1/2	2-1/4-12	2-1/2
BDC-30	3.032	3	6-3/4	3-7/8	1-1/2	3-7/8	3-1/4	3-1/2	2-1/2-12	2-3/4
BDC-35	4.032	3-1/2	8-1/2	5	2	5	4	4-1/2	3-1/4-12	3-1/2
BDC-40	4.532	4	10	6-1/8	2-1/4	6-1/8	4-1/2	5-1/2	4-12	4

## Rod Clevis

Material: 05, 07, 10 Forging  
13 & Up Ductile Iron Casting

## Alignment Coupler

1/16 Radial Float 2°

PART NUMBER	A	B	C	D	E	F	G	H	MAX PULL AT YIELD
BD-250F	1-4-28	7/8	1-1/4	1/4	5/8	.245	3/16	13/16	4,000
BD-312F	5/16-24	7/8	1-1/4	1/4	5/8	.308	1/4	13/16	4,000
BD-375C	3/8-16	7/8	1-1/4	1/4	5/8	.369	5/16	13/16	5,000
BD-375F	3/8-24	7/8	1-1/4	1/4	5/8	.370	5/16	13/16	5,000
BD-437F	7/16-20	1-1/4	2	1/2	3/4	5/8	9/16	1-1/8	10,000
BD-500C	1/2-13	1-1/4	2	1/2	3/4	5/8	9/16	1-1/8	14,000
BD-500F	1/2-20	1-1/4	2	1/2	3/4	5/8	9/16	1-1/8	14,000
BD-625F	5/8-18	1-1/4	2	1/2	3/4	5/8	1/2	1-1/8	14,000
BD-750C	3/4-10	1-3/4	2-5/16	5/16	1-1/8	31/32	7/8	1-1/2	34,000
BD-750F	3/4-16	1-3/4	2-5/16	5/16	1-1/8	31/32	7/8	1-1/2	34,000
BD-875F	7/8-14	1-3/4	2-5/16	5/16	1-1/8	31/32	7/8	1-1/2	34,000
BD-1000C	1-8	2-1/2	2-15/16	1/2	1-5/8	1-3/8	1-1/4	2-1/4	64,000
BD-1000F	1-14	2-1/2	2-15/16	1/2	1-5/8	1-3/8	1-1/4	2-1/4	64,000
BD-1250F	1-1/4-12	2-1/2	2-15/16	1/2	1-5/8	1-3/8	1-1/4	2-1/4	64,000
BD-1375F	1-3/8-12	2-1/2	2-15/16	1/2	1-5/8	1-3/8	1-1/4	2-1/4	64,000
BD-1500F	1-1/2-12	3-1/4	4-3/8	13/16	2-1/4	1-3/4	1-1/2	3	120,000
BD-1750F	1-3/4-12	3-1/4	4-3/8	13/16	2-1/4	1-3/4	1-1/2	3	120,000
BD-1875F	1-7/8-12	3-3/4	5-7/16	11/16	3	2-1/4	1-7/8	3-1/2	240,000
BD-2000F	2-12	3-3/4	5-7/16	11/16	3	2-1/4	1-7/8	3-1/2	240,000

PART NUMBER	PIN SIZE	A	B	C	D
BDP-05H	0.500	2.281	1.938	0.172	0.106
BDP-07H	0.750	3.094	2.719	0.188	0.140
BDP-10H	1.000	3.594	3.219	0.188	0.140
BDP-13H	1.375	4.656	4.250	0.203	0.173
BDP-17H	1.750	5.656	5.250	0.203	0.173
BDP-20H	2.000	5.719	5.281	0.219	0.204
BDP-25H	2.500	6.781	6.313	0.234	0.219
BDP-30H	3.000	6.844	6.344	0.250	0.250
BDP-35H	3.500	8.969	8.406	0.282	0.312
BDP-40H	4.000	9.969	9.406	0.282	0.312

**Pivot Pin**  
Material: 1144 Steel  
Nitrotec Treated Surface

The technical drawing shows a side view of the pivot pin with dimensions A (total length), B (length between holes), C (hole offset from ends), and D (diameter). A cross-sectional view shows the pin diameter and the hole diameter, labeled as PS.

**Pivot Pin**  
Material: 1144 Steel  
Nitrotec Treated Surface

The technical drawing shows a side view of the pivot pin with dimensions A (total length), B (length between holes), C (hole offset from ends), D (hole diameter), and E (pin diameter). A cross-sectional view shows the pin diameter and the hole diameter.

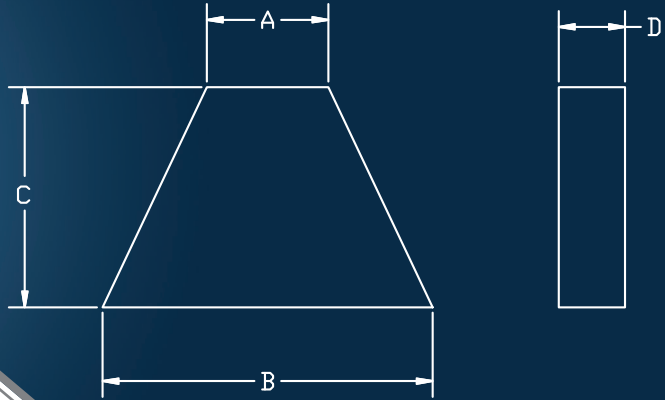
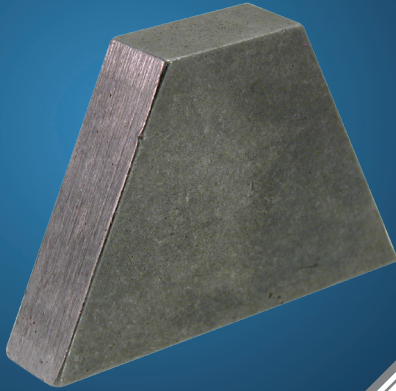
PART NUMBER	CD	A	B	C	D	E
BDP-05G	0.500	0.468	2.094	1.875	0.041	0.109
BDP-07G	0.750	0.704	2.875	2.625	0.048	0.125
BDP-10G	1.000	0.940	3.375	3.125	0.048	0.125
BDP-13G	1.375	1.291	4.485	4.187	0.056	0.149
BDP-17G	1.750	1.650	5.547	5.188	0.068	0.180
BDP-20G	2.000	1.886	5.547	5.188	0.068	0.180
BDP-25G	2.500	2.360	6.625	6.188	0.086	0.219
BDP-30G	3.000	2.838	6.780	6.250	0.103	0.265
BDP-35G	3.500	3.316	8.845	8.125	0.120	0.360
BDP-40G	4.000	3.792	9.845	9.125	0.120	0.360



PART NUMBER	A	B	C	D
MEA-100	9/16	1-3/4	1-1/4	1/2
MEA-200	7/8	2-3/4	2	5/8
MEA-300	1-3/8	3-3/4	2-1/2	3/4
MEA-400	1-3/4	5	3-1/2	1
MEA-500	1-1/4	4	3-1/2	1-1/4
MEA-600	1-1/4	6-3/4	4-1/2	1-1/4

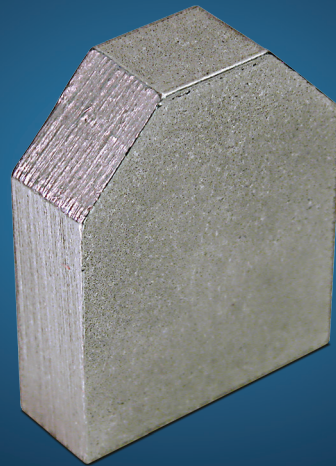
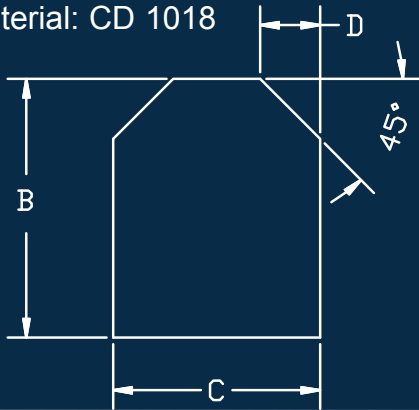
### MEA Mounting Ear

Material: CD 1018



### ME Mounting Ear

Material: CD 1018

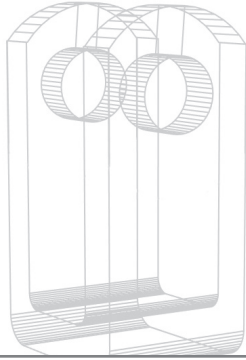


PART NUMBER	A	B	C	D
ME-100	1/2	1-1/4	1	0.29
ME-200	5/8	2	1-1/2	0.44
ME-300	3/4	2-1/2	2	0.58
ME-400	1	3-1/2	2-3/4	0.80
ME-500	1-1/4	4	3-1/2	1.02
ME-600	1-1/4	4-1/2	4	1.17

Call Toll Free 866-406-4100



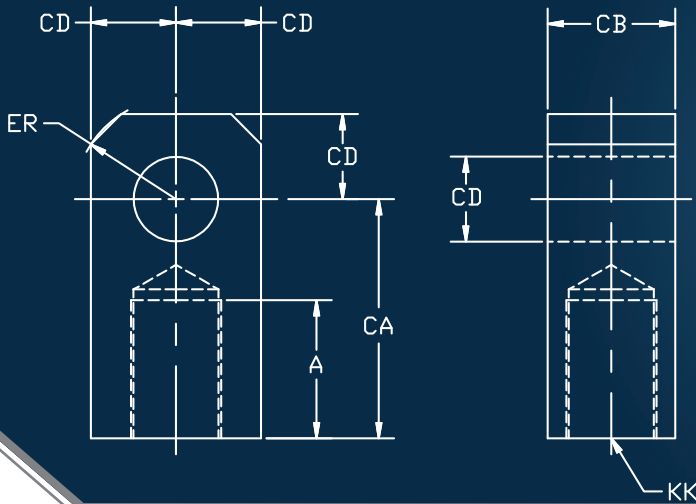
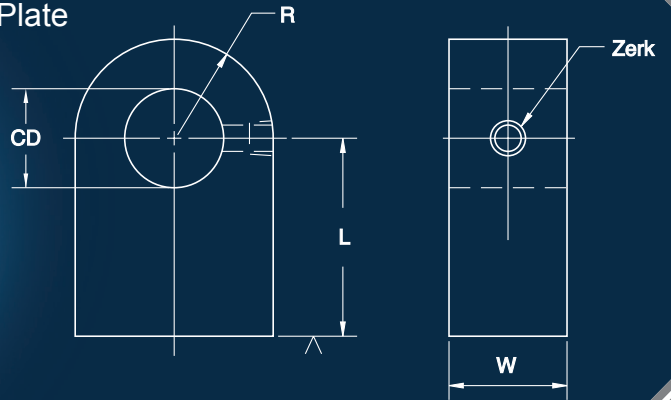
Call Toll Free 866-406-4100



PART NUMBER	CD	L	R	W	ZERK
1210050100	1.00	2.00	1.00	0.50	N/A
1210062100	1.00	2.00	1.00	0.62	N/A
1210075100	1.00	2.12	1.00	0.75	N/A
1210100100	1.00	2.00	1.00	1.00	N/A
1210125100	1.00	2.00	1.00	1.25	1/8" NPT
1210062125	1.25	2.50	1.25	0.62	N/A
1210075125	1.25	2.50	1.25	0.75	N/A
1210100125	1.25	2.50	1.25	1.00	N/A
1210150125	1.25	2.50	1.25	1.50	1/8" NPT
1210200125	1.25	2.50	1.25	2.00	1/8" NPT
1210062150	1.50	2.50	1.50	0.62	N/A
1210075150	1.50	2.50	1.50	0.75	N/A
1210150150	1.50	2.50	1.50	1.50	1/8" NPT
1210200150	1.50	2.50	1.50	2.00	1/8" NPT
1210250150	1.50	2.50	1.50	2.50	1/8" NPT
1210200200	2.00	3.00	2.00	2.00	1/8" NPT
1210250200	2.00	3.00	2.00	2.50	1/8" NPT

## Lug Mount (machined)

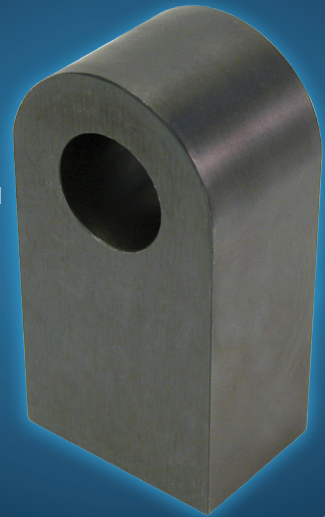
Material: A-36 Plate



## Rod Eyes

Material: 05 thru  
13 C.F. Bar

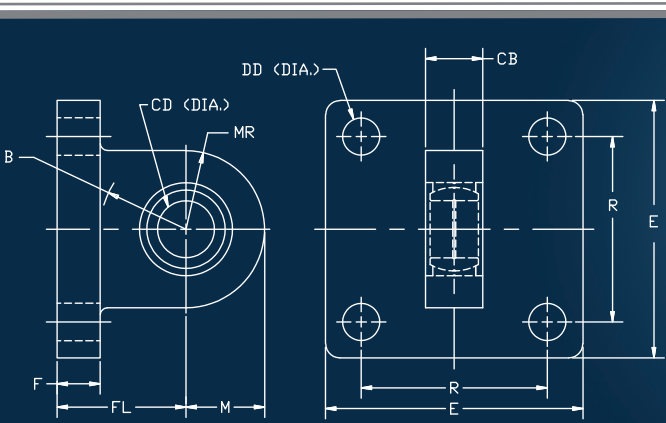
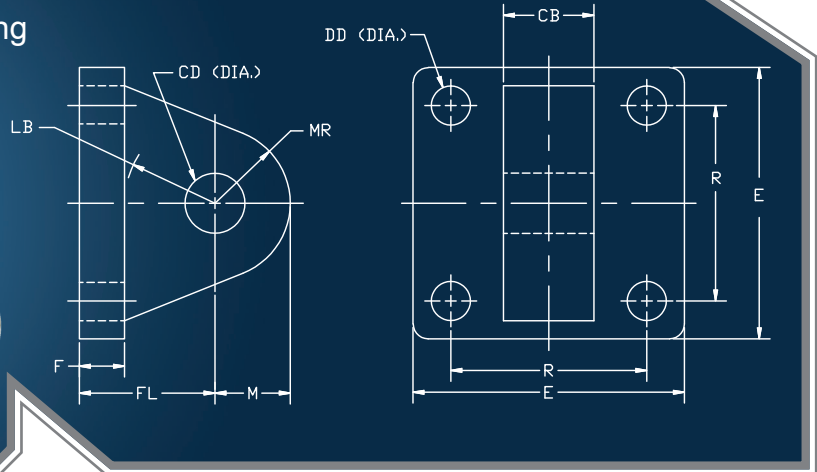
Material: 17 thru  
40 Steel Plate



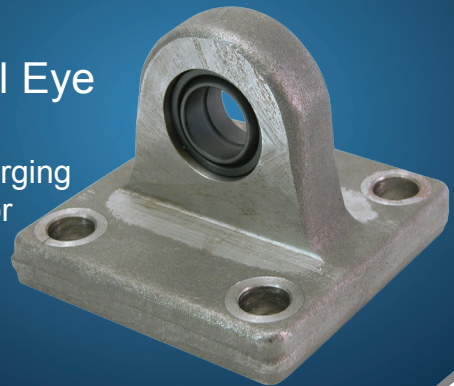
PART NUMBER	A	CA	CB	CD	ER	KK
BDE-05	3/4	1-1/2	3/4	1/2	5/8	7/16-20
BDE-07	1-1/8	2-1/16	1-1/4	3/4	7/8	3/4-16
BDE-10	1-5/8	2-13/16	1-1/2	1	1-3/16	1-14
BDE-13	2	3-7/16	2	1-3/8	1-9/16	1-1/4-12
BDE-17	2-1/4	4	2-1/2	1-3/4	2	1-1/2-12
BDE-20	3	5	2-1/2	2	2-1/2	1-7/8-12
BDE-25	3-1/2	5-13/16	3	2-1/2	2-13/16	2-1/4-12
BDE-30	3-1/2	6-1/8	3	3	3-1/4	2-1/2-12
BDE-35	4-1/2	7-5/8	4	3-1/2	3-7/8	3-1/4-12
BDE-40	5-1/2	9-1/8	4-1/2	4	4-7/16	4-12

PART NUMBER	CB	CD	DD	E	F	FL	LR	M	MR	R
BDEB-05	3/4	1/2	13/32	2-1/2	3/8	1-1/8	3/4	1/2	9/16	1.63
BDEB-07	1-1/4	3/4	17/32	3-1/2	5/8	1-7/8	1-1/4	3/4	7/8	2.56
BDEB-10	1-1/2	1	21/32	4-1/2	3/4	2-1/4	1-1/2	1	1-1/4	3.25
BDEB-13	2	1-3/8	21/32	5	7/8	3	2-1/8	1-3/8	1-5/8	3.81
BDEB-17	2-1/2	1-3/4	29/32	6-1/2	7/8	3-1/8	2-1/4	1-3/4	2-1/8	4.95
BDEB-20	2-1/2	2	1-1/16	7-1/2	1	3-1/2	2-1/2	2	2-7/16	5.75
BDEB-25	3	2-1/2	1-3/16	8-1/2	1	4	3	2-1/2	3	6.59
BDEB-30	3	3	1-5/16	9-1/2	1	4-1/4	3-1/4	3	3-1/4	7.50
BDEB-35	4	3-1/2	1-13/16	12-5/8	1-11/16	5-11/16	4	3-1/2	4-1/8	9.62
BDEB-40	4-1/2	4	2-1/16	14-7/8	1-15/16	6-7/16	4-1/2	4	5-1/4	11.50

Eye Bracket Material: Forging  
Weldment or Ductile Iron



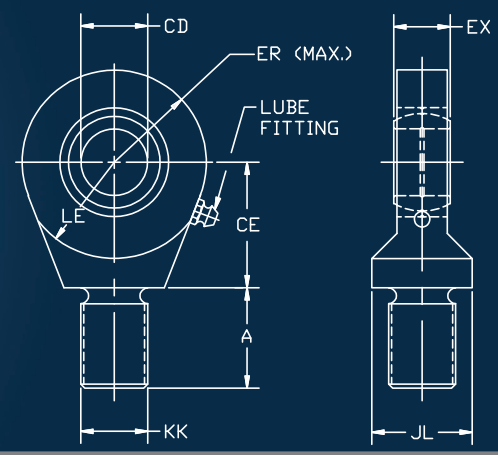
Spherical Eye Bracket  
Material: Forging  
Weldment or  
Ductile Iron



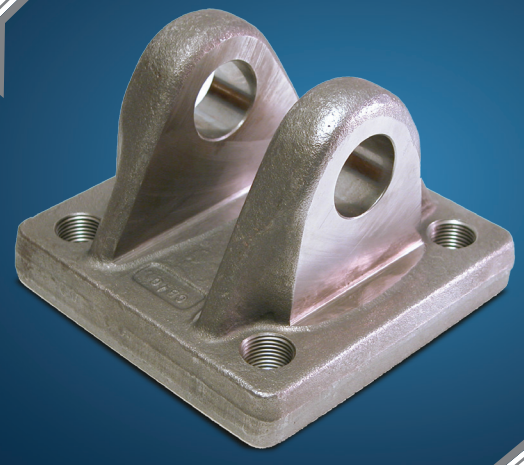
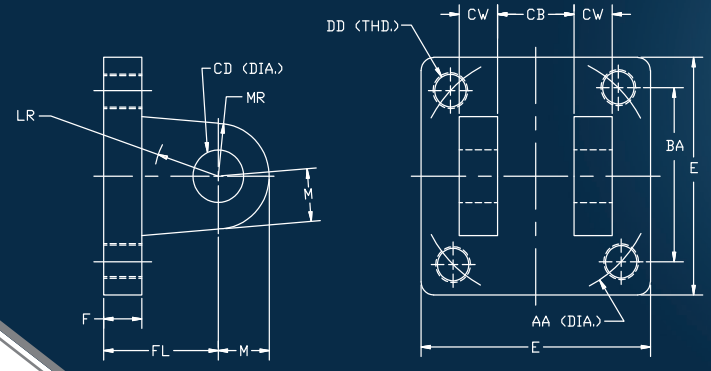
PART NUMBER	CB	CD	DD	E	F	FL	LR	M	MR	R
BDS-05	1/2	1/2	13/32	2-1/2	3/8	1-1/8	3/4	11/16	11/16	1.62
BDS-07	3/4	3/4	17/32	3-1/2	5/8	1-7/8	1-1/4	1-3/16	1-3/16	2.56
BDS-10	1	1	21/32	4-1/2	3/4	2-1/4	1-1/2	1-3/8	1-3/8	3.25
BDS-13	1-3/8	1-3/8	21/32	5	7/8	3	2-1/8	2	2	3.81
BDS-17	1-1/2	1-3/4	29/32	6-1/2	7/8	3-1/8	2-1/4	2-1/8	2-1/8	4.94
BDS-20	1-3/4	2	1-1/32	7-1/2	1	3-1/2	2-1/2	2-3/8	2-3/8	5.75

PART NUMBER	CD	A	CE	EX	ER	LE	KK	JL (REF.)	LOAD CAP.
RES-05	.5000	11/16	7/8	7/16	7/8	3/4	7/16-20	7/8	2,600
RES-07	.7500	1	1-1/4	21/32	1-1/4	1-1/16	3/4-16	1-5/16	9,400
RES-10	1.0000	1-1/2	1-7/8	7/8	1-3/8	1-7/16	1-14	1-1/12	16,800
RES-13	1.3750	2	2-1/8	1-3/16	1-13/16	1-7/8	1-1/4-12	2	28,600
RES-17	1.7500	2-1/8	2-1/2	1-17/32	2-3/16	2-1/8	1-1/2-12	2-1/4	43,000
RES-20	2.0000	2-7/8	2-3/4	1-3/4	2-5/8	2-1/2	1-7/8-12	2-3/4	70,000

**Spherical Rod Eye**  
Material: Forging Weldment or Ductile Iron




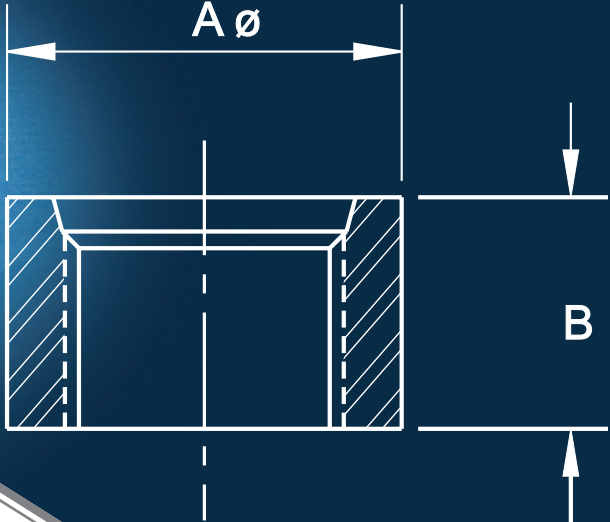
**Clevis Bracket** Material: Forging, Weldment, or Ductile Iron




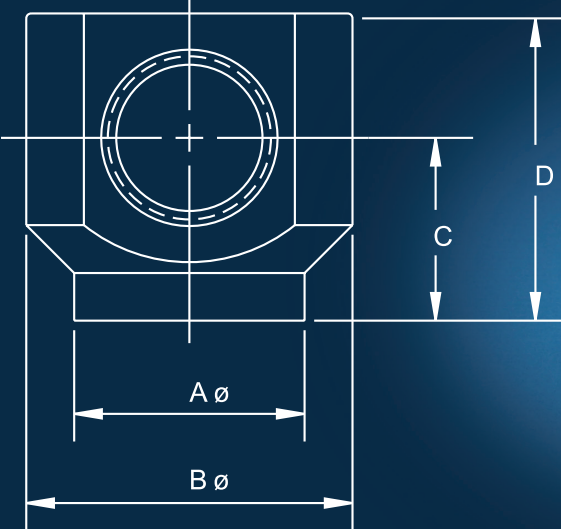
PART NUMBER	AA	BA	CB	CD	CW	DD	E	F	FL	LR	M	MR
BDCB-05	2.30	1-5/8	0.765	1/2	1/2	3/8-24	2-1/2	3/8	1-1/8	1/2	1/2	9/16
BDCB-06	2.90	2-1/16	1.265	3/4	5/8	1/2-20	3	5/8	1-7/8	1	3/4	1-1/16
BDCB-07	3.60	2-9/16	1.265	3/4	5/8	1/2-20	3-1/2	5/8	1-7/8	1-1/16	3/4	1-1/16
BDCB-10	4.60	3-1/4	1.515	1	3/4	5/8-18	4-1/2	3/4	2-1/4	1-1/4	1	1-1/8
BDCB-13	5.40	3-13/16	2.032	1-3/8	1	5/8-18	5	7/8	3	1-7/8	1-3/8	1-3/4
BDCB-17	7.00	4-15/16	2.531	1-3/4	1-1/4	7/8-14	6-1/2	7/8	3-1/8	2	1-3/4	1-7/8
BDCB-20	8.10	5-3/4	2.531	2	1-1/4	1-14	7-1/2	1	3-1/2	2-1/8	2	2-1/8
BDCB-25	9.30	6-19/32	3.032	2-1/2	1-1/2	1-1/8-12	8-1/2	1	4	2-5/8	2-1/2	2-1/2
BDCB-30	10.60	7-1/2	3.032	3	1-1/2	1-1/4-12	9-1/2	1	4-1/4	2-7/8	2-3/4	2-3/4
BDCB-35	13.60	9-5/8	4.032	3-1/2	2	1-3/4-12	12-5/8	1-11/16	5-11/16	3-5/8	3-1/2	3-1/2
BDCB-40	16.20	11-1/2	4.532	4	2-1/4	2-12	14-7/8	1-15/16	6-7/16	4	4	4

PART NUMBER	PORT SIZE	A	B
6500003004	#4 SAE	0.75	0.62
6500003005	#5 SAE	0.88	0.75
6500003006	#6 SAE	1.00	0.75
6500003008	#8 SAE	1.12	0.88
6500003010	#10 SAE	1.25	0.88
6500003012	#12 SAE	1.50	0.88
6500003014	#14 SAE	1.75	1.00
6500003016	#16 SAE	2.00	1.00
6500003020	#20 SAE	2.25	1.00
6500003024	#24 SAE	2.50	1.25

**O-Ring Boss Half Coupling Port**  
Material: CD 1018

**90 Degree O-Ring Boss Port**  
Material: CD 1018

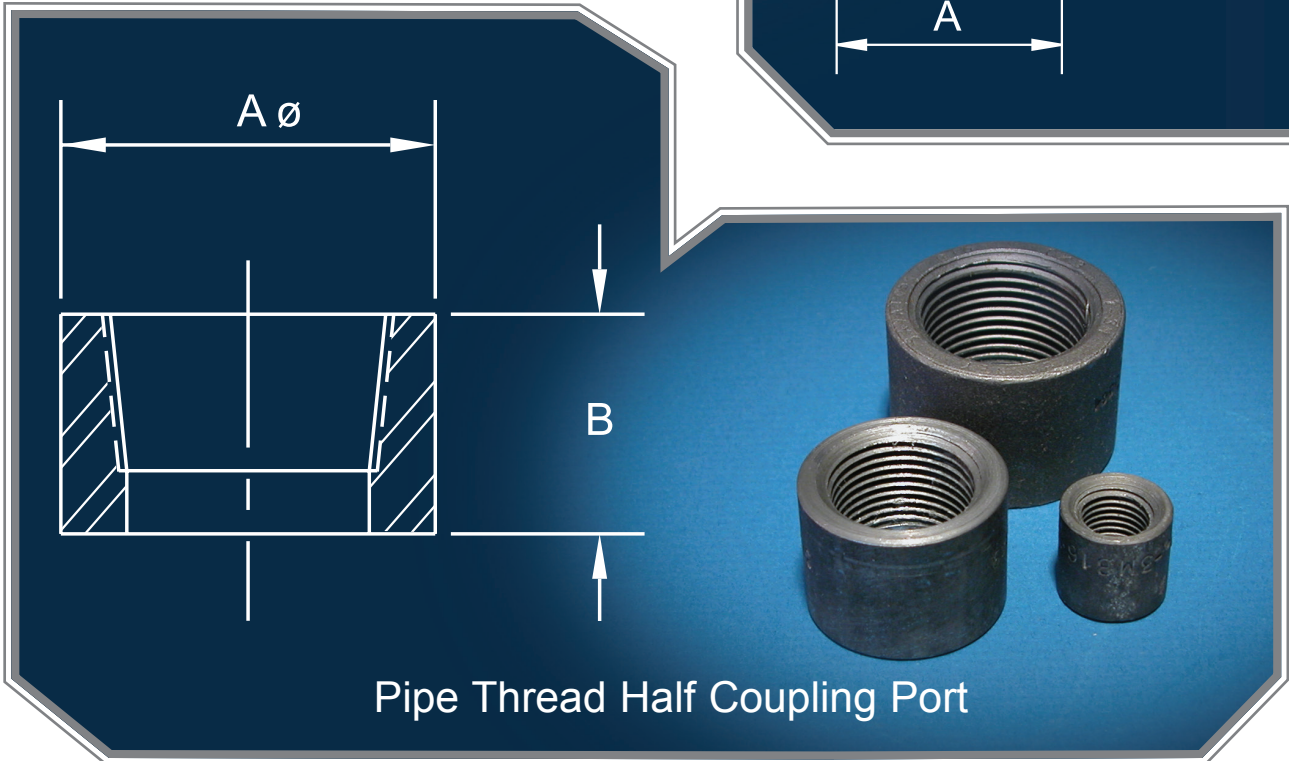
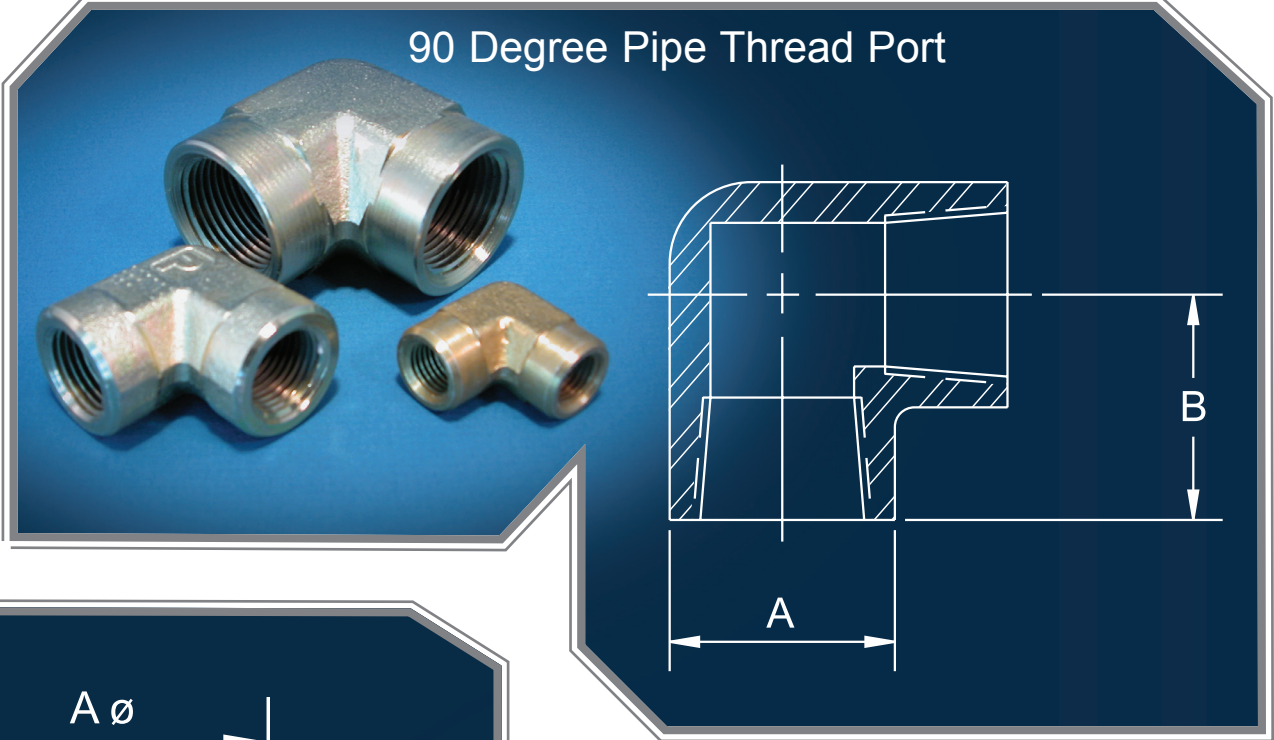



PART NUMBER	PORT SIZE	A	B	C	D
6500006004	#4 SAE	0.75	1.12	0.75	1.12
6500006006	#6 SAE	0.88	1.25	0.81	1.25
6500006008	#8 SAE	1.25	1.62	1.00	1.62
6500006010	#10 SAE	1.25	1.75	1.12	1.88
6500006012	#12 SAE	1.50	2.12	1.19	2.00
6500006016	#16 SAE	1.50	2.25	1.25	2.38

Call Toll Free 866-406-4100



PART NUMBER	PORT SIZE	A	B
6500002025	1/4" NPT	0.75	1.00
6500002038	3/8" NPT	0.88	1.00
6500002050	1/2" NPT	1.12	1.25
6500002075	3/4" NPT	1.38	1.38
6500002100	1" NPT	1.75	1.62



PART NUMBER	PORT SIZE	A	B
6500005012	1/8" NPT	0.75	0.62
6500005025	1/4" NPT	0.75	0.69
6500005038	3/8" NPT	0.88	0.75
6500005050	1/2" NPT	1.12	0.93
6500005075	3/4" NPT	1.38	1.00
6500005100	1" NPT	1.75	1.12
6500005125	1-1/4" NPT	2.25	1.31
6500005150	1-1/2" NPT	2.50	1.62

PART NUMBER	THREAD SIZE	A	B	C
4503816044	3/8"-16	0.44	0.55	0.63
4504414044	7/16"-14	0.44	0.62	0.69
4505020062	1/2"-20	0.56	0.75	0.81
4506218075	5/8"-18	0.75	0.93	1.06
4507516088	3/4"-16	0.88	1.06	1.19
4508814100	7/8"-14	1.00	1.25	1.38
4510014056	1"-14	0.56	1.43	1.65
4510014088	1"-14	0.88	1.62	1.81
4510014106	1"-14	1.06	1.44	1.62
4511212119	1-1/8"-12	1.19	1.62	1.81
4512512138	1-1/4"-12	1.38	1.81	2.06
4515012081	1-1/2"-12	0.81	2.19	2.51
4515012131	1-1/2"-12	1.31	2.38	2.62
4515012162	1-1/2"-12	1.62	2.19	2.44
4517512150	1-3/4"-12	1.50	2.75	3.06
4520012162	2"-12	1.62	3.12	3.50
4522512193	2-1/4"-12	1.93	3.50	3.93
4525012225	2-1/2"-12	2.25	4.00	4.38
4530012262	3"-12	2.62	4.49	4.96

**Grade 5 Nylon Inserted Lock Nut**

Technical drawings of a Grade 5 Nylon Inserted Lock Nut. The left drawing shows the top view with dimension B (width) and C (height). The right drawing shows the side view with dimension A (width).

**Spherical Bearing**

Technical drawings of a Spherical Bearing. The left drawing shows a cross-section with dimensions B (width), CD (inner diameter), D (outer diameter), and C (height). The right drawing shows a photograph of the bearing.

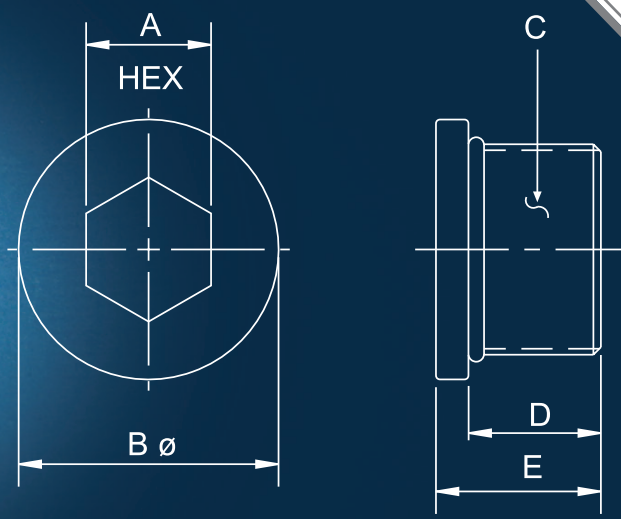
PART NUMBER	CD	B	C	D	HOUSING DIAMETER
9995000050	0.500	0.870	0.440	0.380	0.8739 / 0.8747
9995000062	0.625	1.062	0.545	0.465	1.0614 / 1.0622
9995000075	0.750	1.250	0.655	0.562	1.2487 / 1.2497
9995000100	1.000	1.625	0.875	0.750	1.6237 / 1.6247
9995000125	1.250	2.000	1.093	0.937	1.9985 / 1.9997
9995000138	1.375	2.187	1.187	1.032	2.1860 / 2.1872
9995000150	1.500	2.437	1.312	1.125	2.4360 / 2.4372
9995000175	1.750	2.812	1.532	1.312	2.8110 / 2.8122
9995000200	2.000	3.187	1.750	1.500	3.1858 / 3.1871
9995000225	2.250	3.562	1.969	1.687	3.5607 / 3.5621
9995000250	2.500	3.937	2.187	1.875	3.9357 / 3.9371

Call Toll Free 866-406-4100


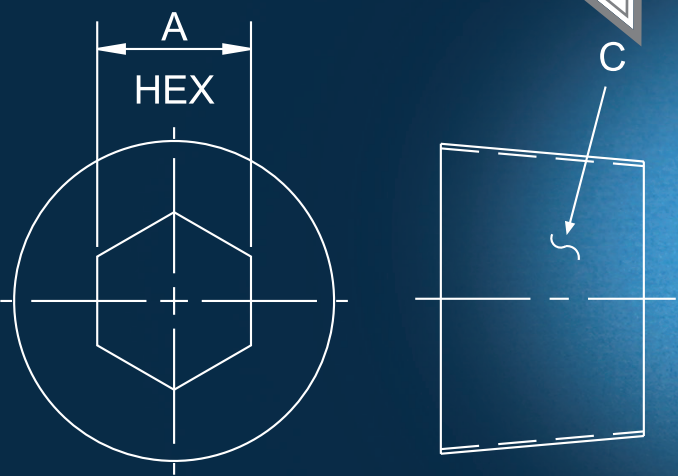


PART NUMBER	A	B	C	D	E
6500008004	3/16"	0.56	7/16"-20 SAE #4	0.36	0.46
6500008006	1/4"	0.69	9/16"-18 SAE #6	0.40	0.49
6500008008	5/16"	0.88	3/4"-16 SAE #8	0.44	0.57
6500008010	3/8"	1.00	7/8"-14 SAE #10	0.50	0.63
6500008012	9/16"	1.25	1 1/16"-12 SAE #12	0.59	0.75
6500008016	5/8"	1.50	1 5/16"-12 SAE #16	0.59	0.75
6500008020	3/4"	1.88	1 5/8"-12 SAE #20	0.59	0.75

### Steel Plug O-Ring Boss

### Steel Pipe Plug

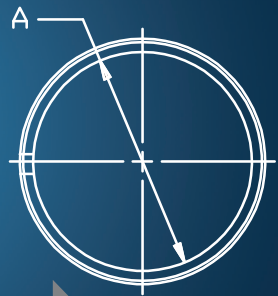
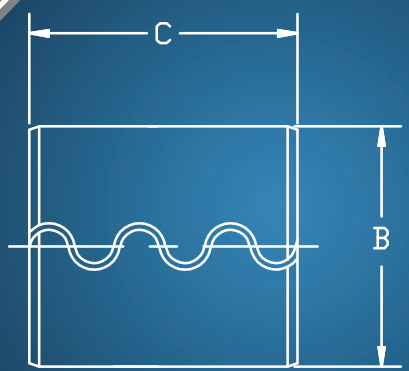



PART NUMBER	A	C
6500007012	3/16"	1/8" NPT
6500007025	1/4"	1/4" NPT
6500007038	5/16"	3/8" NPT
6500007050	3/8"	1/2" NPT
6500007075	9/16"	3/4" NPT
6500007100	5/8"	1" NPT
6500007125	3/4"	1 1/4" NPT



PART NUMBER	A	B	C	HOUSING DIAMETER	PART NUMBER	A	B	C	HOUSING DIAMETER
6500995086	0.75	1.00	0.62	1.006/1.002	6500099540	1.75	2.00	1.25	2.006/2.002
6500099507	0.75	1.00	2.00	1.006/1.002	6500995375	1.75	2.00	1.50	2.006/2.002
6500099508	0.88	1.00	2.00	1.006/1.002	6500099538	1.75	2.00	2.00	2.006/2.002
6500099509	1.00	1.25	0.50	1.256/1.252	6500099539	1.75	2.00	2.25	2.006/2.002
6500099510	1.00	1.25	0.75	1.256/1.252	6500995410	1.75	2.00	3.00	2.006/2.002
6500099514	1.00	1.25	0.88	1.256/1.252	6500099541	1.75	2.25	2.00	2.256/2.252
6500099511	1.00	1.25	1.00	1.256/1.252	6500099549	2.00	2.25	1.50	2.256/2.252
6500099513	1.00	1.25	1.25	1.256/1.252	6500995495	2.00	2.25	2.00	2.256/2.252
6500099512	1.00	1.25	1.50	1.256/1.252	6500099550	2.00	2.25	2.50	2.256/2.252
6500995186	1.25	1.50	1.00	1.506/1.502	6500995506	2.00	2.25	2.63	2.256/2.252
6500099519	1.25	1.50	1.25	1.506/1.502	6500099553	2.00	2.25	3.00	2.256/2.252
6500099522	1.25	1.50	1.50	1.506/1.502	6500099548	2.00	2.38	0.75	2.381/2.377
6500099521	1.25	1.50	2.00	1.506/1.502	6500099546	2.00	2.38	3.00	2.381/2.377
6500099525	1.38	1.62	1.00	1.631/1.627	6500099547	2.00	2.50	2.00	2.506/2.502
6500099531	1.50	1.75	1.50	1.756/1.752	6500099545	2.00	2.50	2.50	2.506/2.502
6500099533	1.50	1.75	2.00	1.756/1.752	6500995571	2.50	2.75	2.75	2.756/2.752
6500995335	1.50	1.75	2.50	1.756/1.752	6500995575	2.50	2.75	3.25	2.756/2.752
6500099535	1.50	1.75	3.00	1.756/1.752	6500099556	2.50	3.00	2.00	3.006/3.002
6500099534	1.50	1.88	2.00	1.881/1.877	6500099557	2.50	3.00	3.00	3.006/3.002
6500099537	1.50	2.00	1.25	2.006/2.002	6500099565	3.00	3.50	2.50	3.506/3.502
6500995371	1.50	2.00	2.00	2.006/2.002					

### Split Tension Bushing Material: Hardened Spring Steel

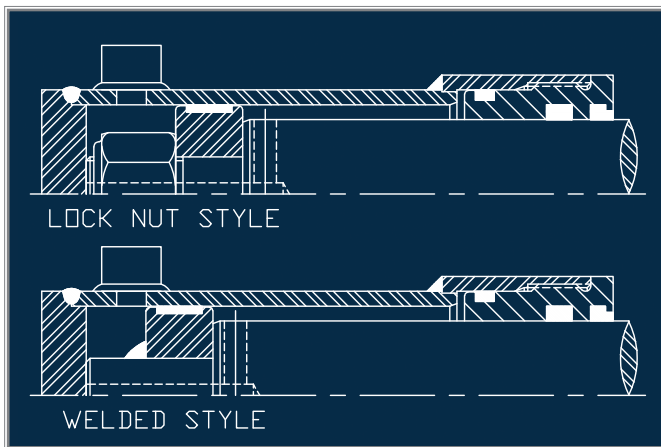


### Threaded Stud Material: 4140 H.T.

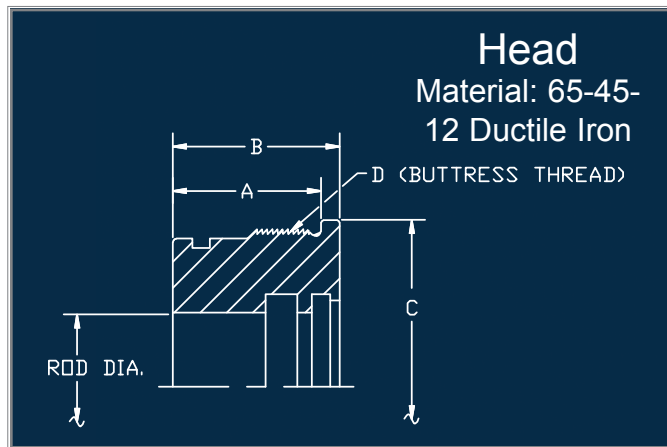


PART NUMBER	A (THREAD)	B	C (DIAMETER)	D	PART NUMBER	A (THREAD)	B	C (DIAMETER)	D
0121000023	7/16"-20	0.31	0.35	1.62	1320000072	1"-14	0.31	0.89	4.00
0121000013	3/4"-16	0.31	0.66	2.50	1320000440	1-1/4"-12	0.31	1.12	3.12
0121000022	3/4"-16	0.31	0.66	3.12	1320000462	1-1/4"-12	0.31	1.12	4.12
0121000016	3/4"-16	0.31	0.66	3.62	1320000310	1-1/4"-12	0.44	1.15	4.38
0121000067	1"-14	0.31	0.91	3.12	1320000460	1-1/2"-12	0.31	1.38	4.25

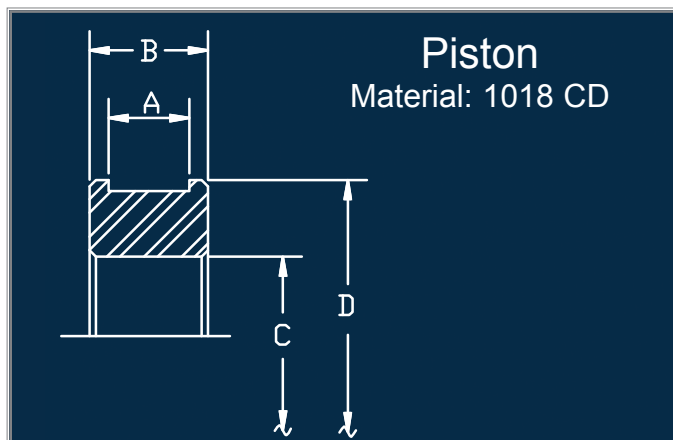
# DISPLACEMENT CYLINDER COMPONENTS



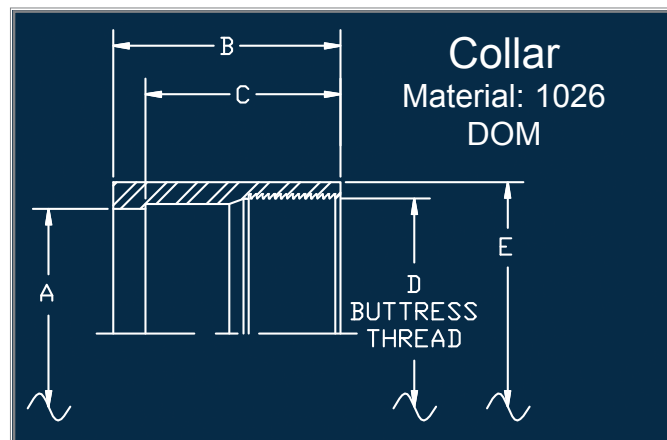
PISTON DIAMETER	ROD DIAMETER	HEAD NUMBER	COLLAR NUMBER	PISTON NUMBER
2.000	1.500	1070250150	1320000675	0110020048
2.500	2.000	1070300200	1320000676	0110025052
3.000	2.500	1070350250	1320000677	0110030057
3.500	3.000	1070400300	1320000678	0110035042
4.000	3.500	1070450350	1320000679	0110040051



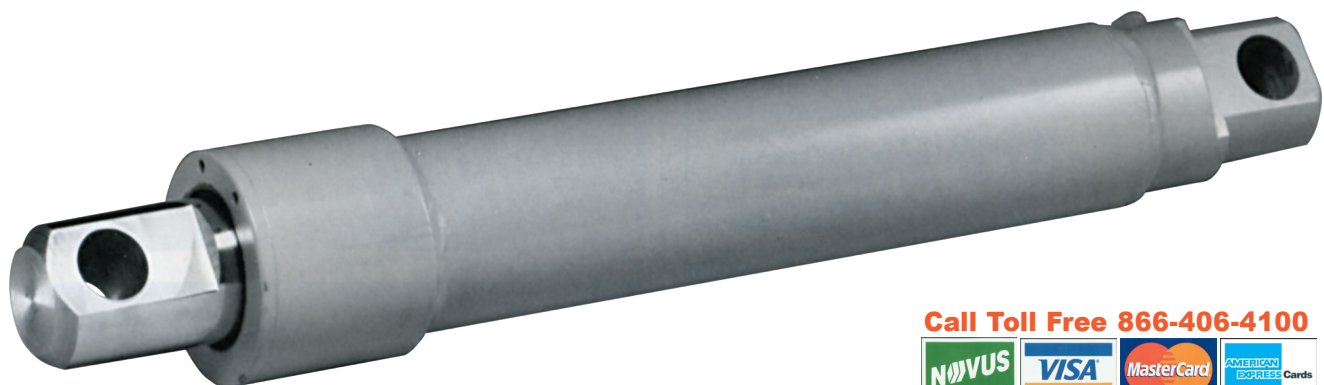
HEAD NUMBER	ROD DIAMETER	A	B	C	D	SEAL KIT NUMBER
1070250150	1.500	2.00	2.38	3.00	2-3/4"-12	1080250150
1070300200	2.000	2.00	2.50	3.50	3-1/4"-12	1080300200
1070350250	2.500	2.12	2.50	4.00	3-3/4"-12	1080350250
1070400300	3.000	2.12	2.50	4.50	4-1/4"-12	1080400300
1070450350	3.500	2.00	2.38	5.00	4-3/4"-12	1080450350



PISTON NUMBER	A	B	C	D	SEAL KIT NUMBER
0110020048	0.50	0.75	0.876	1.950	0118020048
0110025052	0.50	0.75	1.126	2.450	0118025052
0110030057	0.75	1.12	1.501	2.950	0118030057
0110035042	0.75	1.12	1.751	3.450	0118035042
0110040051	0.75	1.12	2.501	3.950	0118040051

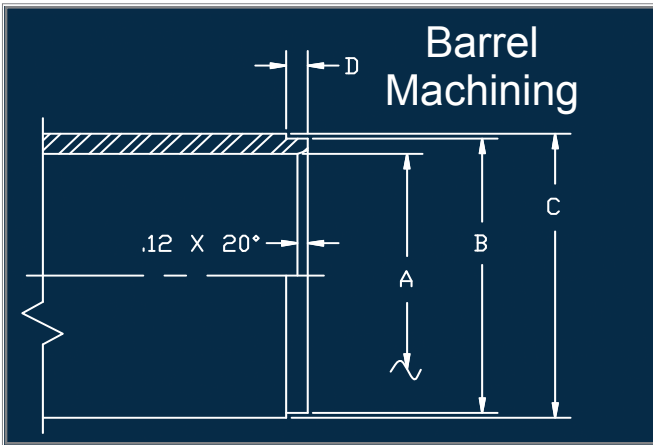


COLLAR NUMBER	A	B	C	D	E
1320000675	2.311	2.44	2.06	2-3/4"-12	3.00
1320000676	2.940	2.38	2.12	3-1/4"-12	3.50
1320000677	3.436	2.50	2.25	3-3/4"-12	4.00
1320000678	3.940	2.50	2.25	4-1/4"-12	4.50
1320000679	4.436	2.38	2.12	4-3/4"-12	5.12

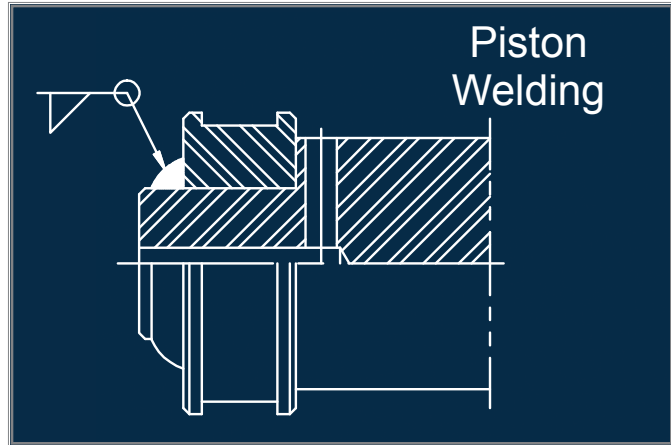


Call Toll Free 866-406-4100

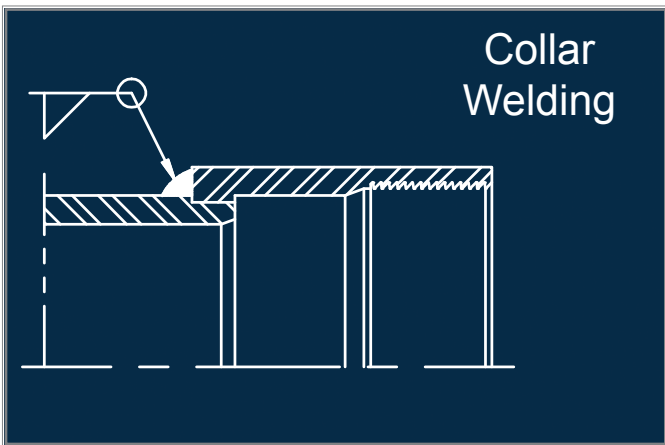




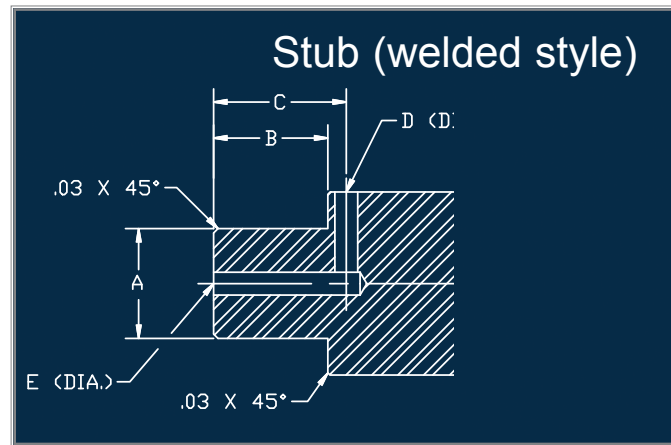
COLLAR NUMBER	A +.003" -.003"	B +.001" -.001"	C	D
1320000675	2.000	2.308	2.50	0.38
1320000676	2.500	2.937	3.00	0.25
1320000677	3.000	3.433	3.50	0.25
1320000678	3.500	3.937	4.00	0.25
1320000679	4.000	4.433	4.50	0.25



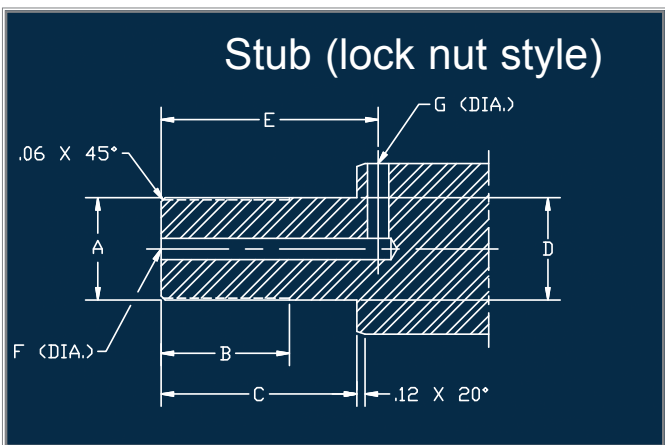
PISTON NUMBER	WELD SIZE
0110020048	1/4"
0110025052	1/4"
0110030057	5/16"
0110035042	3/8"
0110040051	3/8"



COLLAR NUMBER	WELD SIZE
1320000675	1/4"
1320000676	1/4"
1320000677	1/4"
1320000678	1/4"
1320000679	5/16"



PISTON NUMBER	A +.001" -.001"	B	C	D DIA. DRILL X DEPTH	E DIA. DRILL X DEPTH
0110020048	0.874	1.12	1.31	0.25 X 0.75	0.25 X 1.44
0110025052	1.124	1.12	1.38	0.31 X 1.00	0.31 X 1.50
0110030057	1.499	1.56	1.81	0.31 X 1.25	0.31 X 2.00
0110035042	1.749	1.62	1.88	0.38 X 1.50	0.38 X 2.00
0110040051	2.499	1.62	1.88	0.38 X 1.75	0.38 X 2.00



PISTON NUMBER	A UN-THD	B	C	D +.001-.001	E	F DIA. DRILL X DEPTH	G DIA. DRILL X DEPTH	LOCK NUT NUMBER
0110020048	7/8"-14	1.25	1.88	0.874	2.12	0.25 X 2.25	0.25 X .75	4508814100
0110025052	1-1/8"-12	1.44	2.06	1.124	2.38	0.31 X 2.56	0.31 X 1.00	4511212119
0110030057	1-1/2"-12	1.88	2.88	1.499	3.19	0.31 X 3.38	0.31 X 1.25	4515012162
0110035042	1-3/4"-12	1.75	2.75	1.749	3.06	0.38 X 3.31	0.31 X 1.50	4517512150



**YOUR BEST RESOURCE FOR WORLD-CLASS  
AMERICAN DESIGNED AND MANUFACTURED HYDRAULIC PRODUCTS**



P.O. Box 187 • 18800 Ulysses Street NE • Cedar, MN 55011  
• toll free 866-406-4100 • phone 763-792-4000 • fax 763-792-4400  
• sales@aggressivehydraulics.com • www.aggressivehydraulics.com