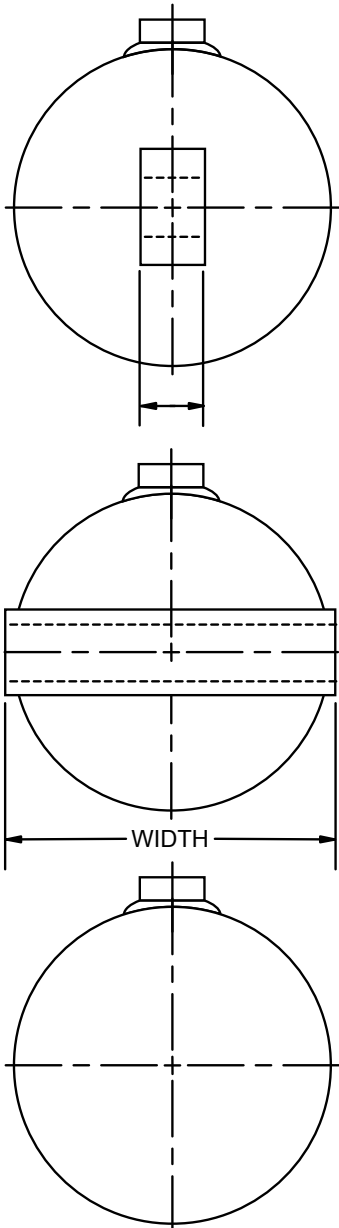
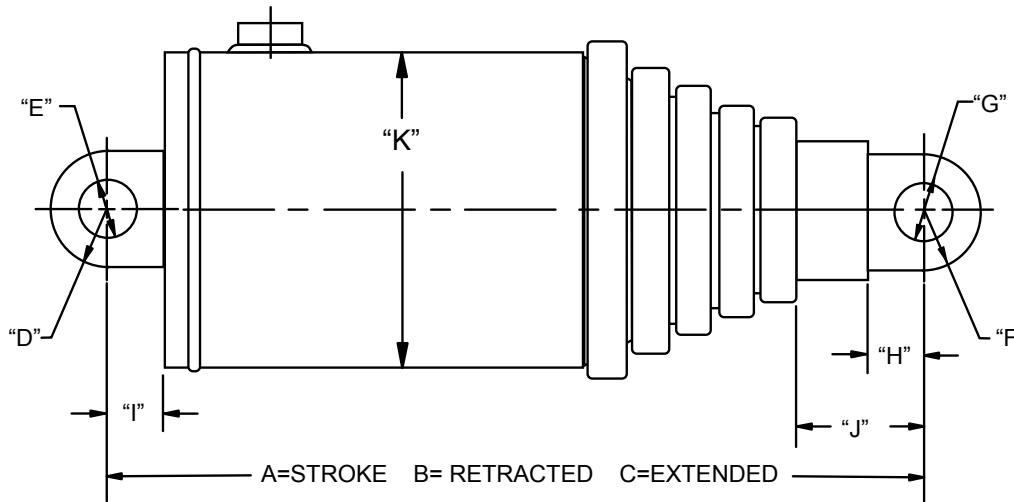


CUSTOM BUILT TELESCOPIC CYLINDER APPLICATION WORKSHEET



DRAW SPECIAL MOUNT BASE



Cylinder application _____

Single or Double-acting _____ Fluid type _____

O.D. largest moving sleeve _____ System operating pressure _____

Number of moving sleeves _____ System flow in G.P.M. _____

Chrome or non-chrome sleeves _____ System operating temp. _____

Any side or eccentric loading _____ Load holding requirements _____

Mounting conditions Vert. ___ Horz. ___ Incline angle _____

A. Total stroke _____ G. Plunger mount pin dia. _____

B. Retracted length _____ H. Plunger mount length _____

C. Extended length _____ I. Base mount length _____

D. Base mount radius _____ J. Packing nut to pin _____

E. Base mount pin diameter _____ K. O.D. of main barrel _____

F. Plunger mount radius _____

Extend port size & type _____ Extend port location _____

Retract port size & type _____ Retract port location _____

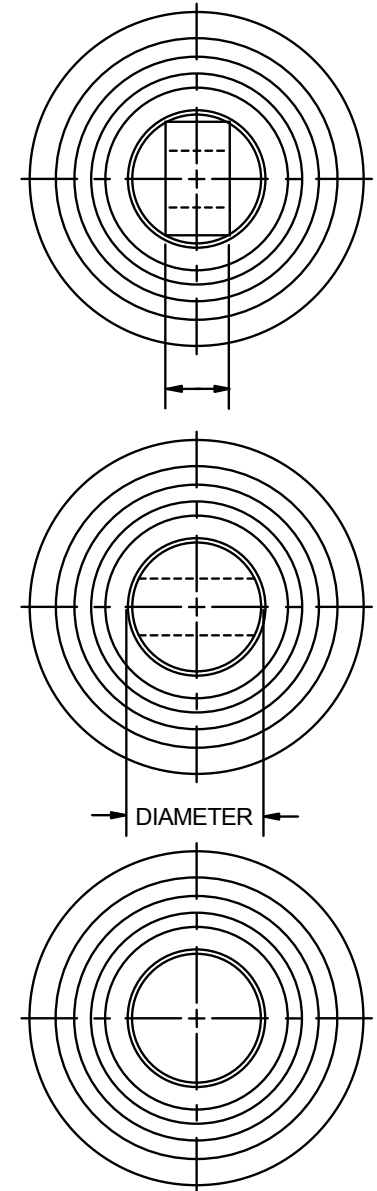
Special features or comments _____

Cylinder quote quantity _____

Company name _____ Your name _____

Phone number _____ Fax number _____

Email _____



DRAW SPECIAL MOUNT PLUNGER